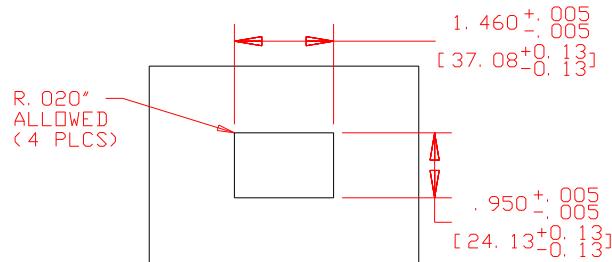


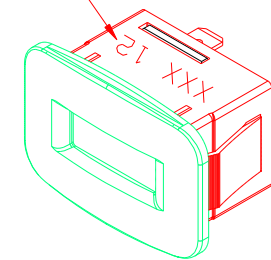
RECOMMENDED MOUNTING HOLE



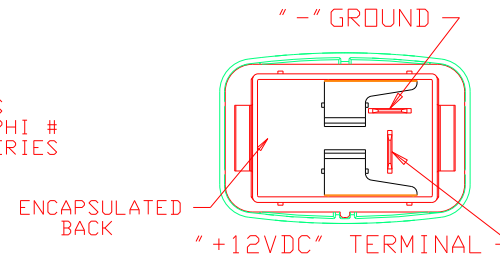
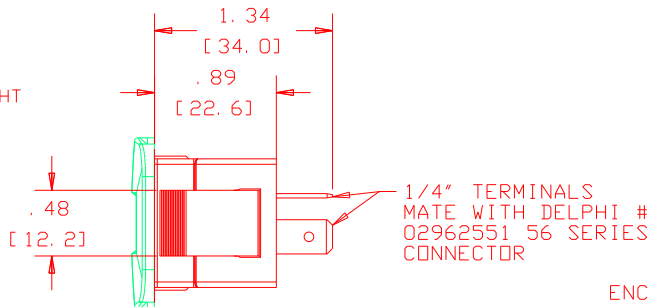
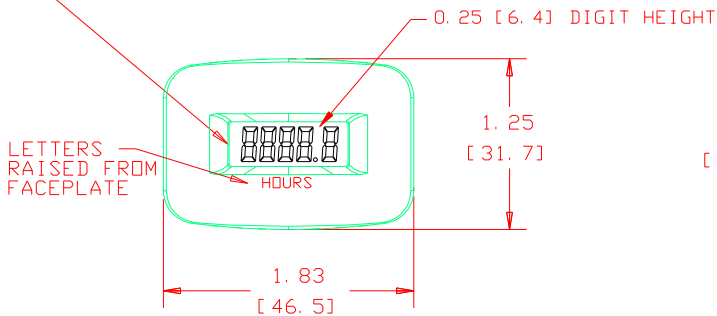
TOTAL MOUNTING PANEL THICKNESS
 RANGE 0.060 - 0.200"
 [1.52 - 5.08]
 RECOMMENDED CUSTOMER PANEL SHOULD BE
 DESIGNED & MANUFACTURED SO THAT METER
 MOUNTING WINGS ENGAGE WITH A SQUARE EDGE

REVISIONS			
~	INITIAL RELEASE, CR 1659	02/13/07	DAS
A	UPDATED NOTES (ADDED NOTE 11), CN 1572	03/13/08	DAS

METER DATE CODED
 ON LONG FACE,
 EITHER SIDE



- * 5 DIGIT DISPLAY TO TENTHS OF HOURS
- * FLASHING DECIMAL POINT WHILE IN USE



- NOTES:
- 1-DIMENSIONS IN BRACKETS [] ARE IN MILLIMETERS. MILLIMETER TOLERANCES ARE: 0.X±0.5, 0.XX±0.15
 - 2-HOUSING IS CLEAR POLYCARBONATE. BACK CONNECTOR IS BLACK ABS.
 - 3-ASSEMBLY SEALED WITH ENCAPSULANT, DESICCANT INSIDE
 - 4-ASSEMBLY DATED CODED TO YEAR, MONTH AND DAY OF MANUFACTURE PER DELTA MFG SPEC#1640.
 - 5-U. S. PATENT #6,655,975
 - 6-OPERATING VOLTAGE: 9 TO 16 VDC
 - 7-OPTIMUM VIEWING ANGLE, 12:00
 - 8-OPERATING TEMPERATURE: -30 TO 80 DEG. CELSIUS
 - 9-CLOCK ACCURACY: +/-5%
 - 10-ENVIRONMENTAL RESISTANCE
 - * SUNLIGHT, WATER, OIL AND BATTERY ACID
 - * FRONT AND REAR OF CASE SEALED
 - 11-SERVICE REMINDER: THE DISPLAY FLASHES 'CHG' THEN 'OIL' THEN 'HOURS DATA'. THIS OCCURS EVERY 50 HOURS AND LASTS FOR 2 HOURS, I. E. FROM 50.0 TO 52.0 HOURS. USER CANNOT RESET SERVICE REMINDER

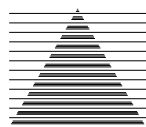
DELTA SYSTEMS, INC. DOES NOT ASSUME
 ANY LIABILITY ARISING OUT OF THE
 MISAPPLICATION OF ANY PRODUCT

COMPUTER GENERATED
 DRAWING - NO MANUAL
 CHANGES ALLOWED

UNLESS OTHERWISE SPECIFIED
 DIMENSIONS ARE IN INCHES
 TOLERANCES ARE:
 XX± .020" .XXX± .005 ANG± 1°

DO NOT SCALE DRAWING

DRAWN	DATE
DAS	07/26/06
CHECKED	DATE
NWS	02/12/07
MATERIAL	
AS NOTED	
FINISH	



DELTA
 SYSTEMS INC.
 STREETSBOARD, OHIO 44241

TITLE APPLICATION PRINT - KEY ON HOURMETER WITH FACEPLATE			
SIZE B	DWG. NO. 2014-012		PROJECT NO. EX361
SCALE FULL	REV A		

