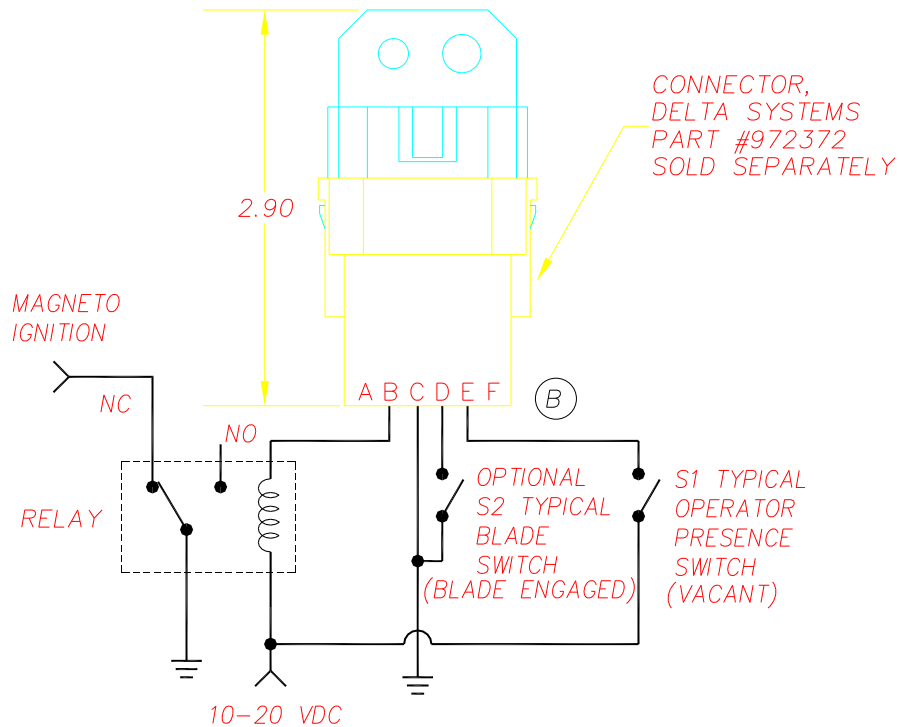


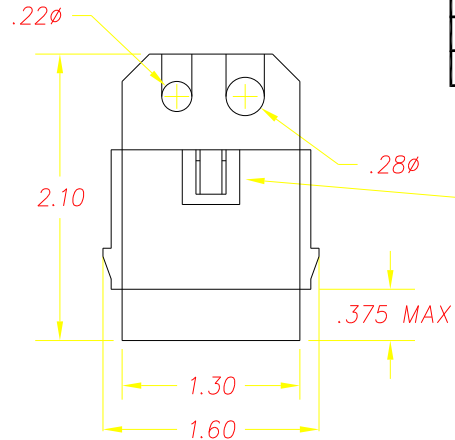
NOTES:

- 1) MAX. OPERATING TEMP.: 180° F
- 2) MAX. OPERATING VOLTAGE: 20 VOLTS DC
- 3) 300 mA MAX. CURRENT AT B INPUT
- 4) 1801 SERIES TIME DELAY MODULE. FOR USE WITH BOSCH RELAY 0-332-204-150 OR EQUIVALENT.
- 5) RELAY IS ENERGIZED WHEN S2 IS CLOSED, OR WHEN S1 IS CLOSED, OR FOR 1/2 ± 1/8 SECOND, AFTER S1 IS RELEASED.
- 6) CONNECTOR SNAPS ONTO HOUSING AND REQUIRES AN EXTRA EFFORT TO REMOVE.
- 7) INSERT PLATED TERMINALS (PACKARD #12040502 OR EQUIVALENT) INTO DESIGNATED LOCATIONS IN THE CONNECTOR PRIOR TO INSTALLING THE CONNECTOR ON HOUSING.
- 8) CARD EDGE SEALER/LUBRICANT ADDED.

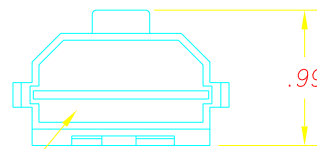


TYPICAL APPLICATION SCHEMATIC

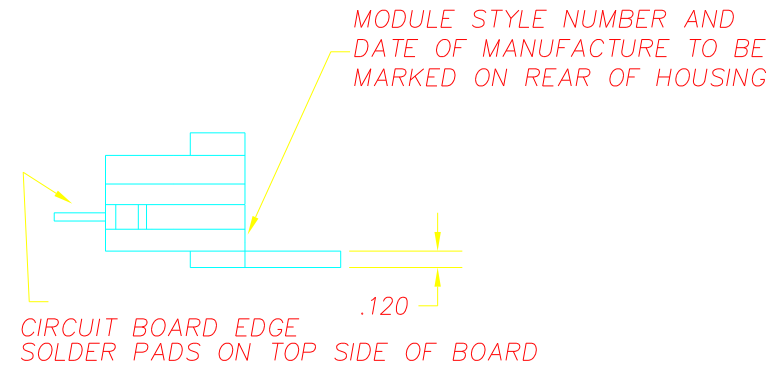
DWG. NO.	SH	REV.	COMPUTER GENERATED DRAWING – NO MANUAL CHANGES		
REVISIONS					
~	RELEASED FROM EX, CR 683	05/03/95	TW		
A	UPDATED DRAWING, CR697	05/11/95	TW		
B	SCHEMATIC APPLICATION VIEW, CR737	09/28/95	TW		
C	MOVED PADS TO TOP OF BOARD	10/31/01	JH		
D	CHANGED NOTE 5 , CN 0976	04/01/05	JH		
"	ADD BLADE ENGAGED,VACANT, CN0976	"	"		"



MOUNTING SLOT TO ACCOMMODATE OPTIONAL PACKARD MOUNTING HARDWARE (SUPPLIED BY CUSTOMER)



ENCAPSULANT COVERS ALL ELECTRONIC COMPONENTS



DELTA SYSTEMS, INC. DOES NOT ASSUME ANY LIABILITY ARISING OUT OF THE MISAPPLICATION OF ANY PRODUCT INTENDED FOR CONSUMER PRODUCT USE.

UNLESS OTHERWISE SPECIFIED DIMENSIONS ARE IN INCHES TOLERANCES ARE:
 .XX± .02 .XXX± ANG±

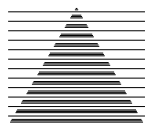
DO NOT SCALE DRAWING

DRAWN LMH DATE 03/15/94

CHECKED TW DATE 03/22/94

MATERIAL PLASTIC PARTS-DELTON™

FINISH PLASTIC PARTS-BLACK

		DELTA SYSTEMS INC. STREETSBORO, OHIO 44241			
TITLE 1801 TIME DELAY MODULE					
SIZE B	DWG. NO. 1801	PROJECT NO. E-329	REV. D		
SCALE FULL		SHEET 1 OF 1			