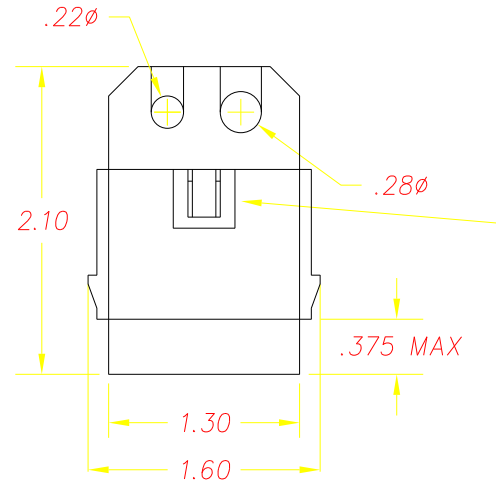


NOTES:

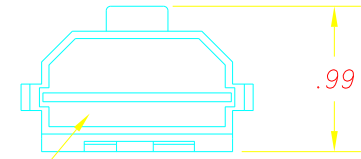
- 1-MAX. OPERATING TEMP.: 180° F
- 2-CONNECTOR SNAPS ONTO HOUSING AND REQUIRES AN EXTRA EFFORT TO REMOVE.
- 3-INSERT PLATED TERMINALS (PACKARD #12040502 OR EQUIV.) INTO DESIGNATED LOCATIONS IN THE CONNECTOR PRIOR TO INSTALLING CONNECTOR ON HOUSING.
- 4-ENGINE WILL NOT CRANK IF MODULE IS DISCONNECTED.
- 5-MODULE WILL ALLOW ENGINE TO RUN ONLY WHEN OPERATOR IS PRESENT, P.T.O. IS OFF AND TRANSMISSION IS IN NEUTRAL.
- 6-ENGINE WILL NOT CRANK UNLESS OPERATOR PRESENCE, PTO/BLADES, AND TRANSMISSION NEUTRAL SWITCHES ARE ALL CLOSED.
- 7-CARD EDGE SEALER/LUBRICANT ADDED.
- 8-THIS PRODUCT COVERED BY ONE OR MORE OF THE FOLLOWING U.S. PATENTS: 4,294,961; 4,369,745; 5,190,019.
- 9-THIS PRODUCT USED ON CAPACITOR DISCHARGE IGNITIONS. ENGINE MANUFACTURERS IGNITIONS VARY, IT IS THE USERS RESPONSIBILITY TO TEST THIS PRODUCT ON ANY SPECIFIC ENGINE.

REVISIONS			
~	RELEASE FROM EX, CR 864	10/14/96	TW

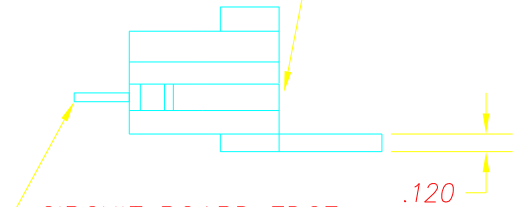


MOUNTING SLOT TO ACCOMMODATE OPTIONAL PACKARD MOUNTING HARDWARE (SUPPLIED BY CUSTOMER)

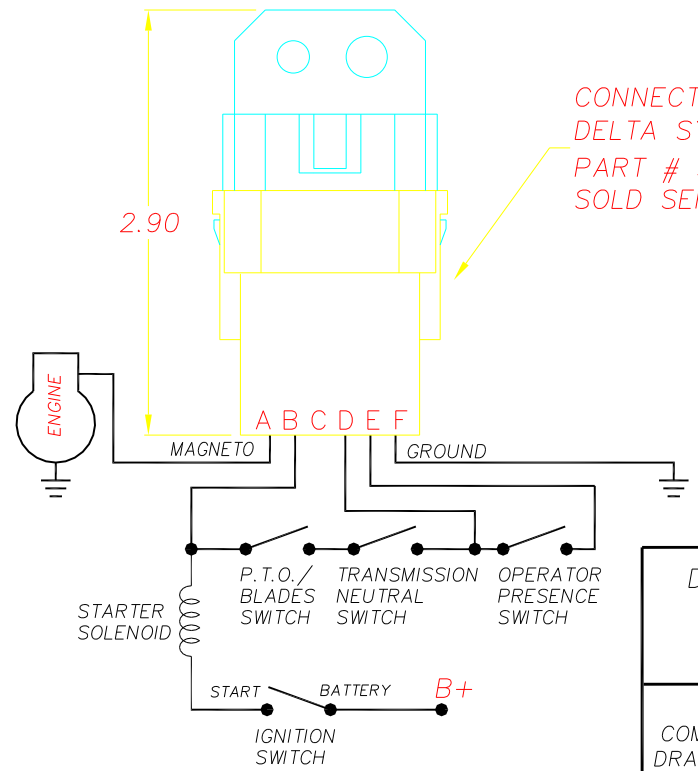
MODULE STYLE NUMBER AND DATE OF MFG. TO BE MARKED ON REAR OF HOUSING



ENCAPSULANT COVERS ALL ELECTRONIC COMPONENTS



CIRCUIT BOARD EDGE SOLDER PADS ON BOTTOM SIDE OF BOARD



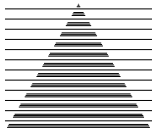
CONNECTOR, DELTA SYSTEMS PART # 972372 SOLD SEPARATELY

TYPICAL APPLICATION SCHEMATIC

DELTA SYSTEMS, INC. DOES NOT ASSUME ANY LIABILITY ARISING OUT OF THE MISAPPLICATION OF ANY PRODUCT

COMPUTER GENERATED DRAWING - NO MANUAL CHANGES ALLOWED
UNLESS OTHERWISE SPECIFIED DIMENSIONS ARE IN INCHES TOLERANCES ARE:
.xx± .02 .xxx± .005 ANG± 1°
DO NOT SCALE DRAWING

DRAWN	DATE
LMM	07/24/96
CHECKED	DATE
TW	07/26/96
MATERIAL	
PLASTIC PARTS	
DELTON™	
FINISH	
PLASTIC PARTS	
BLACK	

		DELTA SYSTEMS INC. STREETSBORO, OHIO 44241	
TITLE 1601T MODULE			
SIZE B	DWG. NO. 1601T		
SCALE FULL	PROJECT NO. E-310	REV ~	