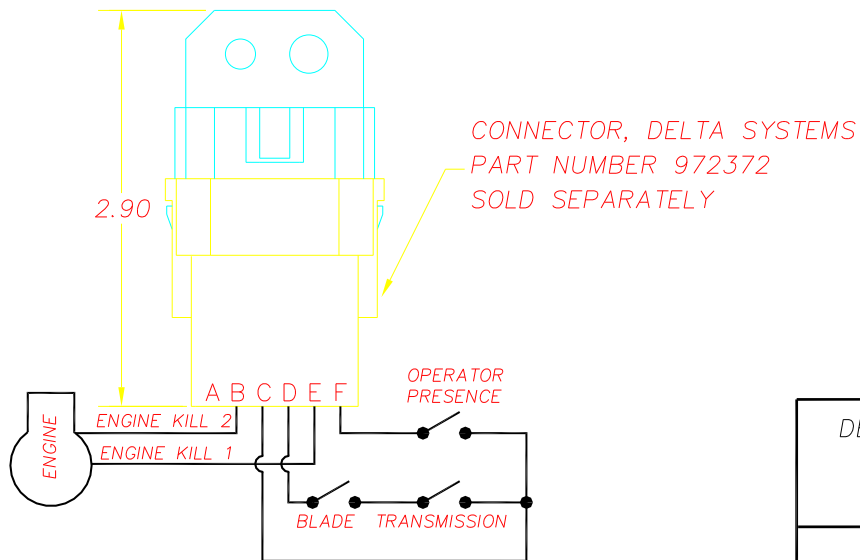
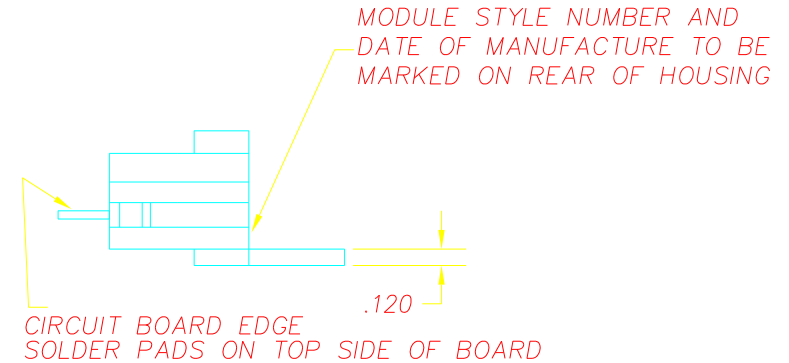
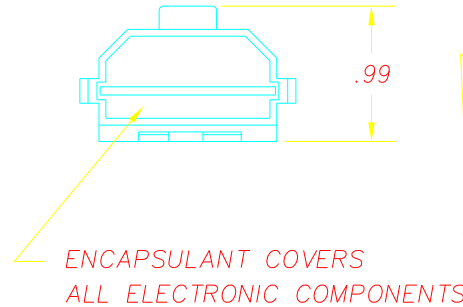
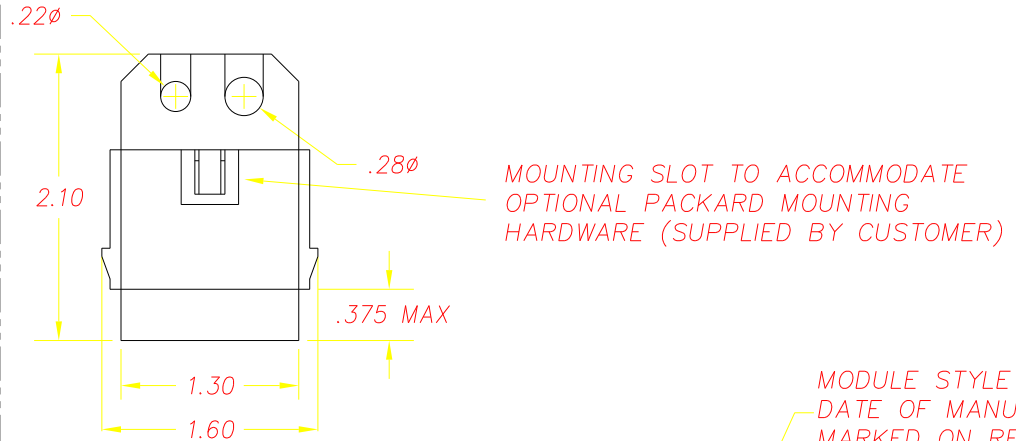


**NOTES:**

- 1) MAXIMUM OPERATING TEMP.: 180° F
- 2) CONNECTOR SNAPS ONTO HOUSING AND REQUIRES AN EXTRA EFFORT TO REMOVE.
- 3) INSERT PLATED TERMINALS (PACKARD #12040502 OR EQUIVALENT) INTO DESIGNATED LOCATIONS IN CONNECTOR PRIOR TO INSTALLING CONNECTOR ON HOUSING.
- 4) ENGINE WILL NOT START UNLESS BLADE AND TRANSMISSION SWITCHES ARE CLOSED.
- 5) ENGINE WILL CONTINUE TO RUN ONLY IF OPERATOR PRESENCE SWITCH IS CLOSED, OR BLADE AND TRANSMISSION SWITCHES ARE CLOSED.
- 6) CARD EDGE SEALER/LUBRICANT ADDED.
- 7) ENGINE MANUFACTURERS' IGNITIONS VARY. IT IS THE USERS RESPONSIBILITY TO TEST THIS PRODUCT ON ANY SPECIFIC ENGINE.

DSI P/N	ENGINE/MAGNETO TYPE	ENGINE KILL 1(E)	ENGINE KILL 2(B)
1201	BRIGGS & STRATTON	GROUND	MAGNETO
1201	HONDA/INDUCTIVE	GROUND	MAGNETO
1201	KAWASAKI	GROUND	MAGNETO
1201	KOHLER/INDUCTIVE	MAGNETO	GROUND

REVISIONS			
B	ADDED NOTE 7, CR 886	12/09/96	TW
C	MOVED PADS TO TOP OF BOARD	10/31/01	JH



**TYPICAL APPLICATION SCHEMATIC**

DELTA SYSTEMS, INC. DOES NOT ASSUME ANY LIABILITY ARISING OUT OF THE MISAPPLICATION OF ANY PRODUCT

COMPUTER GENERATED DRAWING - NO MANUAL CHANGES ALLOWED

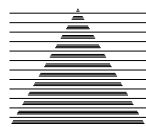
UNLESS OTHERWISE SPECIFIED DIMENSIONS ARE IN INCHES TOLERANCES ARE:  
 .xx± .02 .xxx± ANG±

DO NOT SCALE DRAWING

DRAWN DATE  
 DRK 02/10/94  
 CHECKED DATE  
 TW 02/10/94

MATERIAL  
 PLASTIC PARTS  
 DELTON™

FINISH  
 PLASTIC PARTS  
 BLACK

		<b>DELTA</b> SYSTEMS INC. STREETSBORO, OHIO 44241	
SIZE B	DWG. NO. 1201		
SCALE FULL	PROJECT NO. E-329	REV C	