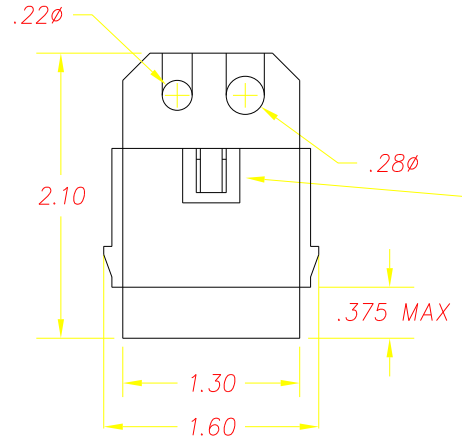


NOTES:

- 1) MAXIMUM OPERATING TEMP.: 180° F
- 2) CONNECTOR SNAPS ONTO HOUSING AND REQUIRES AN EXTRA EFFORT TO REMOVE.
- 3) INSERT PLATED TERMINALS (PACKARD#12040502 OR EQUIVALENT) INTO DESIGNATED LOCATIONS IN THE CONNECTOR PRIOR TO INSTALLING CONNECTOR ON HOUSING.
- 4) ENGINE WILL NOT START UNLESS SAFETY SWITCH(ES) IS/ARE CLOSED. AFTER SAFE START, ENGINE WILL CONTINUE TO RUN WITH SWITCH OPEN OR CLOSED.
- 5) CARD EDGE SEALER/LUBRICANT ADDED
- 6) ENGINE MANUFACTURERS' IGNITIONS VARY. IT IS THE USERS RESPONSIBILITY TO TEST THIS PRODUCT ON ANY SPECIFIC ENGINE.

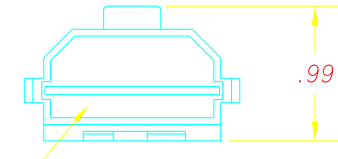
DSI P/N	ENGINE/MAGNETO TYPE	ENGINE KILL 1(E)	ENGINE KILL 2(F)
0901	BRIGGS & STRATTON	GROUND	MAGNETO
0901	HONDA/INDUCTIVE	GROUND	MAGNETO
0901	KAWASAKI	GROUND	MAGNETO
0901	KOHLER/INDUCTIVE	MAGNETO	GROUND

REVISIONS			
B	ADDED NOTE 6, CR 886	12/09/96	TW
C	MOVED PADS TO TOP OF BOARD	10/31/01	JH

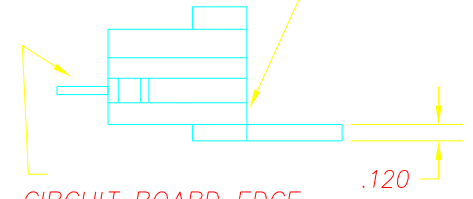


MOUNTING SLOT TO ACCOMMODATE OPTIONAL PACKARD MOUNTING HARDWARE (SUPPLIED BY CUSTOMER)

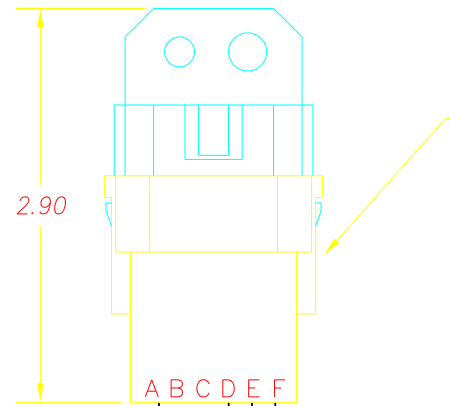
MODULE STYLE NUMBER AND DATE OF MANUFACTURE TO BE MARKED ON REAR OF HOUSING



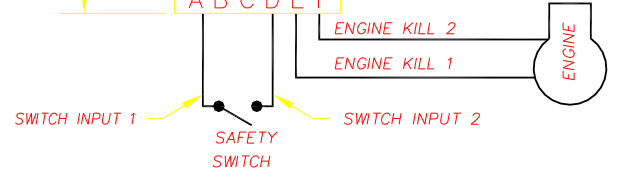
ENCAPSULANT COVERS ALL ELECTRONIC COMPONENTS



CIRCUIT BOARD EDGE SOLDER PADS ON TOP SIDE OF BOARD



CONNECTOR, DELTA SYSTEMS PART NUMBER 972372 SOLD SEPARATELY



TYPICAL APPLICATION SCHEMATIC

DELTA SYSTEMS, INC. DOES NOT ASSUME ANY LIABILITY ARISING OUT OF THE MISAPPLICATION OF ANY PRODUCT

DRAWN	DATE
DRK	02/09/94
CHECKED	DATE
TW	02/10/94

COMPUTER GENERATED DRAWING - NO MANUAL CHANGES ALLOWED

UNLESS OTHERWISE SPECIFIED DIMENSIONS ARE IN INCHES TOLERANCES ARE:
 .XX± .02 .XXX± ANG±
 DO NOT SCALE DRAWING

MATERIAL	PLASTIC PARTS DELTON™
FINISH	PLASTIC PARTS BLACK

<p>DELTA SYSTEMS INC. STREETSBORO, OHIO 44241</p>	
TITLE 0901 MODULE	
SIZE B	DWG. NO. 0901
SCALE FULL	PROJECT NO. E-329
	REV C