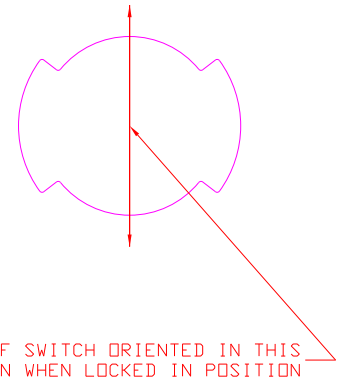
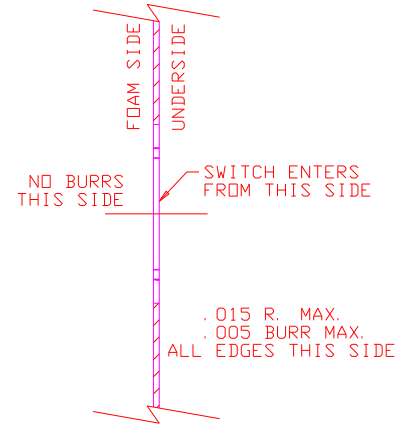
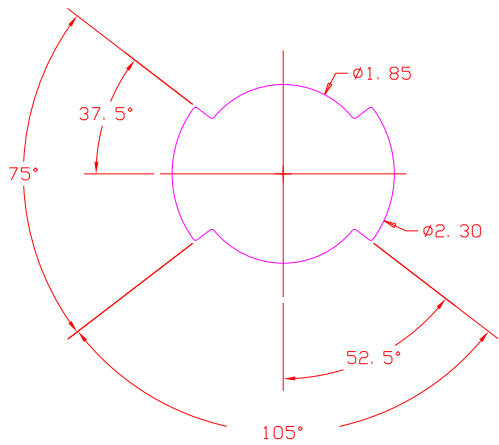
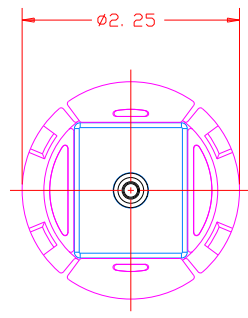


REVISIONS			
~	INITIAL RELEASE, CR1485	12/27/02	ML

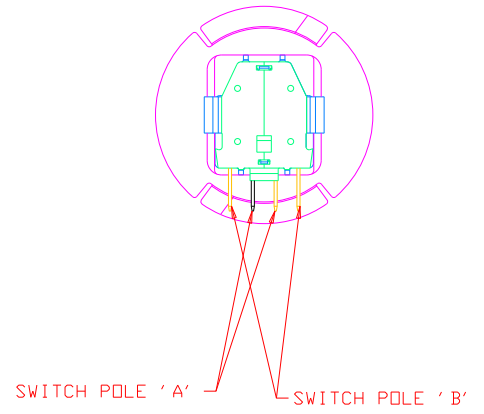
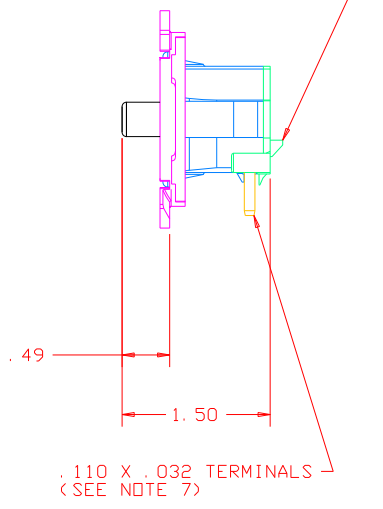


TERMINALS OF SWITCH ORIENTED IN THIS DIRECTION WHEN LOCKED IN POSITION

RECOMMENDED MOUNTING HOLE (FOR REFERENCE ONLY)



INTEGRAL DELTA LOCKING CONNECTOR AVAILABLE  
96545, SHORTING SERIES  
96546, NON-SHORTING SERIES



PART NUMBER	POLE		SHORTING OPTION	COLOR
	'A'	'B'		
6544-602TM	NO	NO	NO	BLACK FRAME AND SWITCH
6544-603TM	NC	NC	YES	BLACK FRAME, GRAY SWITCH
6544-651TM	NC		YES	BLACK FRAME, GRAY SWITCH
6544-652TM		NO	NO	BLACK FRAME AND SWITCH
6544-653TM	NC	NO	YES	BLACK FRAME, BLACK BODY, GRAY PLUNGER

NOTES:

- 1-.040-.150 DEPRESSION REQUIRED FOR ELECTRICAL POLE CHANGE OF STATE.
- 2-PLASTIC MATERIAL: DELTON, UV STABLE, FUEL RESISTANT THERMOPLASTIC. TERMINALS: BRASS.
- 3-SWITCH REQUIRES 90° CLOCKWISE ROTATION TO LOCK IN PLACE (AS VIEWED FROM TERMINAL SIDE OF MOUNTING PANEL).
- 4-PANEL THICKNESS .055-.065 INCLUDES PAINT AND/OR ANY OTHER LAYERS APPLIED BETWEEN SWITCH AND PANEL.
- 5-DATE CODE INDICATING YEAR, MONTH, AND DAY OF MONTH MANUFACTURED STAMPED ON HOUSING.
- 6-INTEGRITY OF WELD & SWITCH FUNCTIONALITY TESTED AFTER ASSEMBLY.
- 7-MATING TERMINAL IS PACKARD P/N 12034046 (18-20 GA WIRE) P/N 12066214 (14-16 GA WIRE)
- 8-DELTA IS RESPONSIBLE FOR COMPLIANCE TO THIS SPECIFICATION. THE FUNCTION AND ADEQUACY OF THE SAFETY "SYSTEM" IN WHICH THIS COMPONENT IS USED IS THE RESPONSIBILITY OF THE DESIGNER AND BUILDER OF THE SYSTEM (INCLUDING BUT NOT LIMITED TO THE SEAT DESIGN, SWITCH LOCATION, FOAM DENSITY AND DESIGN).
- 9-THIS PRODUCT COVERED BY THE FOLLOWING U. S. PATENTS: 5,424,502 & 6,207,910.

DELTA SYSTEMS, INC. DOES NOT ASSUME ANY LIABILITY ARISING OUT OF THE MISAPPLICATION OF ANY PRODUCT

DRAWN	DATE
MA	06/27/02
CHECKED	DATE
ML	12/27/02

TITLE: LOW PROFILE DOUBLE POLE TWIST MOUNT W/6 LB. SPRING

COMPUTER GENERATED DRAWING - NO MANUAL CHANGES ALLOWED  
UNLESS OTHERWISE SPECIFIED DIMENSIONS ARE IN INCHES TOLERANCES ARE: .XX# .02 .XXX# .005 ANG# 1°  
DO NOT SCALE DRAWING

MATERIAL	SEE NOTE 2
FINISH	SEE TABLE

SIZE	C	DWG. NO.	6544-6XXTM
SCALE	FULL	PROJECT NO.	EX 360
REV	~		