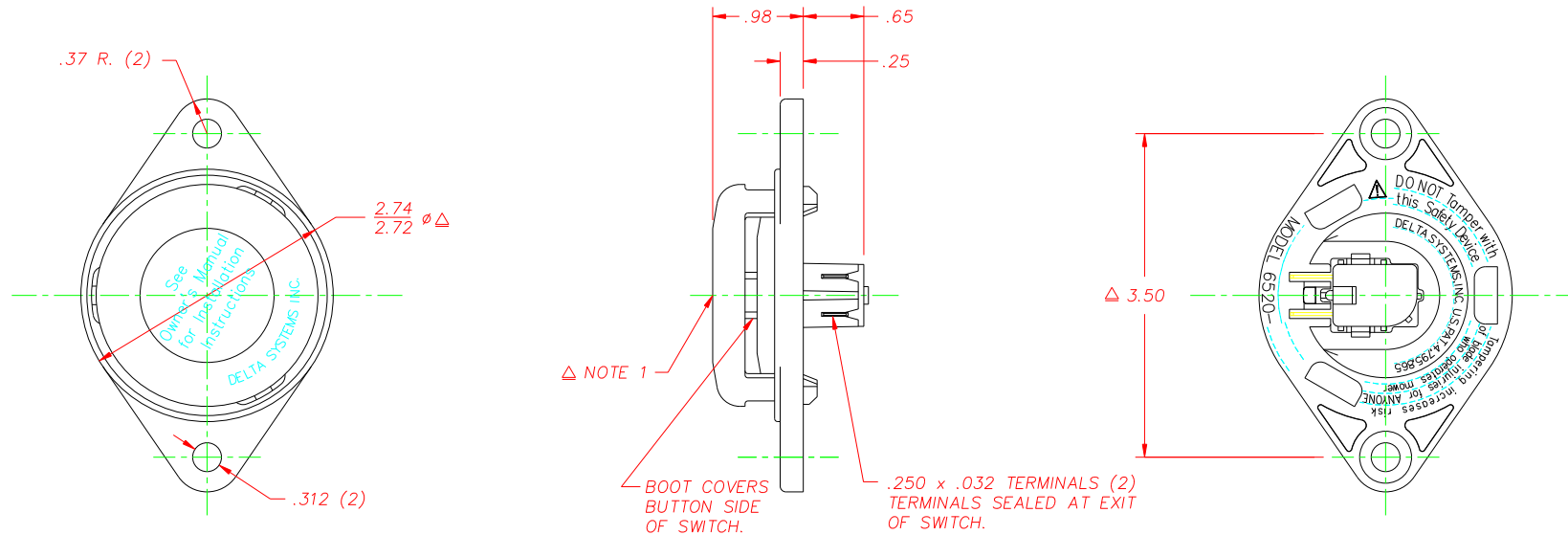



REVISIONS			
~	RELEASED FROM EX, CR 874	12/10/96	JH
A	FRAME DESIGN CHANGE, CR1251	08/16/00	JH
B	REM. ORANGE IDENTIFIER ON SWITCH	12/04/08	MA



Δ DESIGNATES CRITICAL CHARACTERISTICS

NOTES:

- Δ 1-.040-.150 MOTION TO CLOSE CONTACTS.
- 2-PLASTIC PARTS - DELTON™, UV STABLE, FUEL RESISTANT THERMOPLASTIC.
TERMINALS - NICKEL PLATED BRASS.
CONTACT - BERYLLIUM COPPER.
BOOT - THERMOPLASTIC ELASTOMER.
- 3-DATE CODE INDICATING YEAR, MONTH, AND DAY OF MONTH MANUFACTURED STAMPED ON HOUSING.
- Δ 4-INTEGRITY OF WELD & SWITCH FUNCTIONALITY TESTED AFTER ASSEMBLY.
- 5-DELTA IS RESPONSIBLE FOR COMPLIANCE TO THIS SPECIFICATION. THE FUNCTION AND ADEQUACY OF THE SAFETY "SYSTEM" IN WHICH THIS COMPONENT IS USED IS THE RESPONSIBILITY OF THOSE THAT DESIGN AND BUILD THE SYSTEM (INCLUDING BUT NOT LIMITED TO THE SEAT DESIGN, SWITCH LOCATION, FOAM DENSITY AND DESIGN).
- 6-THIS PRODUCT IS COVERED BY ONE OR MORE OF THE FOLLOWING U.S. PATENTS: 4,812,604; 4,795,865. OTHER PATENTS APPLIED FOR.

DELTA SYSTEMS, INC. DOES NOT ASSUME ANY LIABILITY ARISING OUT OF THE MISAPPLICATION OF ANY PRODUCT		DRAWN LMM	DATE 10/18/96	 DELTA SYSTEMS INC. STREETSBORO, OHIO 44241
		CHECKED TW	DATE 10/18/96	
		MATERIAL NOTE 2		TITLE SEAT SWITCH NORMALLY OPEN
COMPUTER GENERATED DRAWING - NO MANUAL CHANGES ALLOWED		FINISH BLACK		SIZE C
UNLESS OTHERWISE SPECIFIED DIMENSIONS ARE IN INCHES TOLERANCES ARE: .XXX± .02 .XXX± .005 ANG± 1°		DO NOT SCALE DRAWING		DWG. NO. 6520-62
				SCALE FULL
				PROJECT NO. EX311
				REV B

