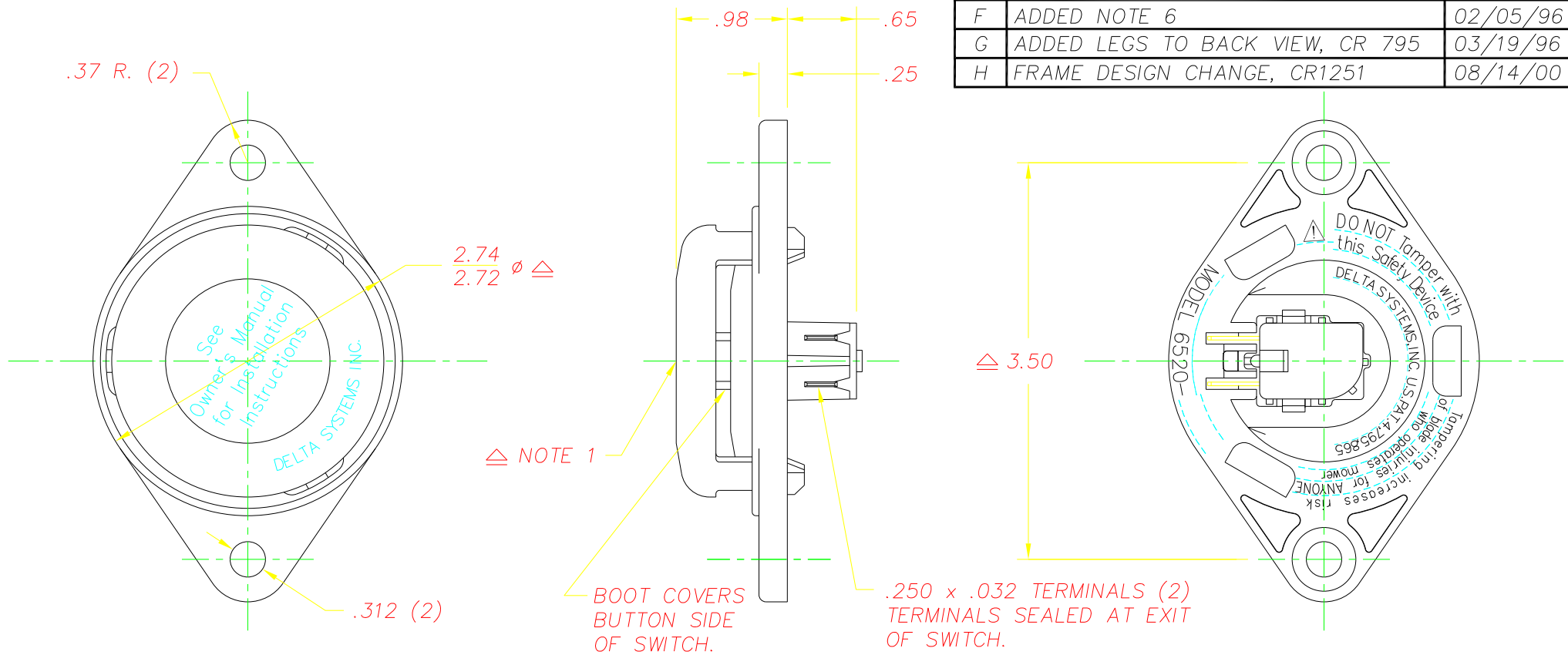


REVISIONS			
E	ADDED NOTE 5, CR 591	07/28/94	TW
F	ADDED NOTE 6	02/05/96	TW
G	ADDED LEGS TO BACK VIEW, CR 795	03/19/96	TW
H	FRAME DESIGN CHANGE, CR1251	08/14/00	JH



NOTES:

△ DESIGNATES CRITICAL CHARACTERISTICS

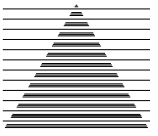
- △ 1-.040-.150 MOTION TO CLOSE CONTACTS.
- 2-PLASTIC PARTS – DELTON™, UV STABLE, FUEL RESISTANT THERMOPLASTIC. TERMINALS – NICKEL PLATED BRASS. BOOT – THERMOPLASTIC ELASTOMER.
- 3-DATE CODE INDICATING YEAR, MONTH, AND DAY OF MONTH MANUFACTURED STAMPED ON HOUSING.
- △ 4-INTEGRITY OF WELD & SWITCH FUNCTIONALITY TESTED AFTER ASSEMBLY.
- 5-DELTA IS RESPONSIBLE FOR COMPLIANCE TO THIS SPECIFICATION. THE FUNCTION AND ADEQUACY OF THE SAFETY "SYSTEM" IN WHICH THIS COMPONENT IS USED IS THE RESPONSIBILITY OF THOSE THAT DESIGN AND BUILD THE SYSTEM (INCLUDING BUT NOT LIMITED TO THE SEAT DESIGN, SWITCH LOCATION, FOAM DENSITY AND DESIGN).
- 6-THIS PRODUCT IS COVERED BY ONE OR MORE OF THE FOLLOWING U.S. PATENTS; 4,812,604; 4,795,865. OTHER PATENTS APPLIED FOR.

DELTA SYSTEMS, INC. DOES NOT ASSUME ANY LIABILITY ARISING OUT OF THE MISAPPLICATION OF ANY PRODUCT

UNLESS OTHERWISE SPECIFIED DIMENSIONS ARE IN INCHES TOLERANCES ARE:
 .XX± .020 .XXX± .005 ANG±

DO NOT SCALE DRAWING

DRAWN	DATE
AJC	05/22/92
CHECKED	DATE
TW	05/26/92
MATERIAL	
NOTE 2	
FINISH	
BLACK	

		DELTA SYSTEMS INC. STREETSBORO, OHIO 44241	
TITLE MODEL 6520-60, ROUND SEAT SWITCH NORMALLY OPEN			
SIZE	DWG. NO.	PROJECT NO.	REV
B	6520-60	E-323	H
SCALE	SHEET		OF
FULL	1		1