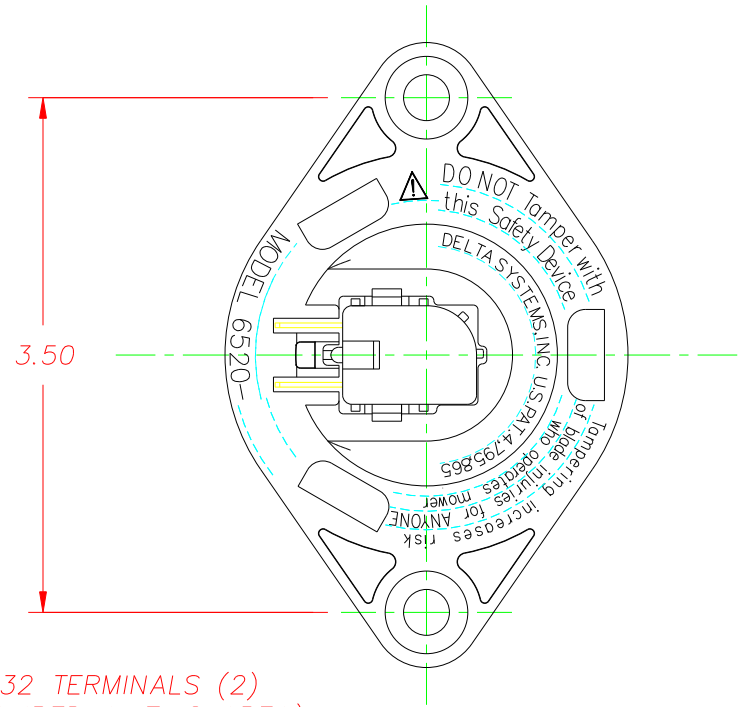
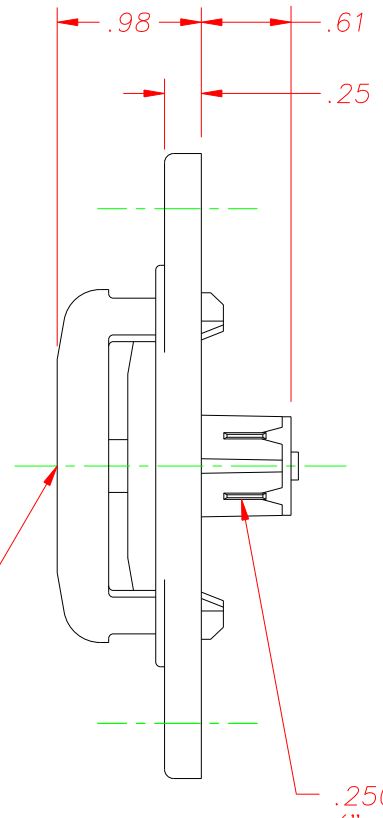
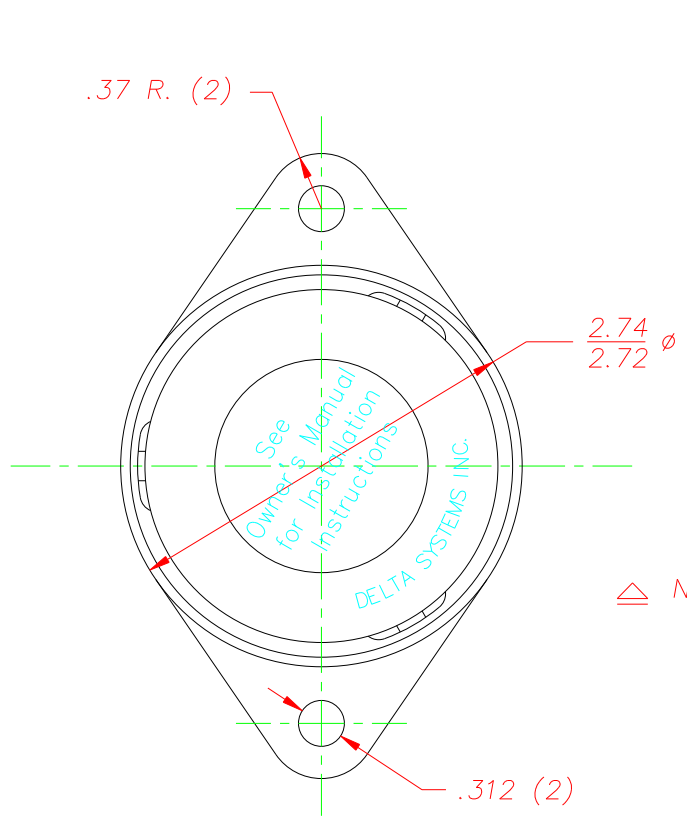


REVISIONS			
D	REVISED BACK VIEW, CR 823	06/07/96	TW
E	FRAME DESIGN CHANGE, CR1251	08/10/00	JH
F	REM. 2.74/2.72 CRIT. CHAR., CN1417	04/14/08	MA



△ NOTE 1

.250 x .032 TERMINALS (2)
("NC" STAMPED IN THIS AREA)

△ DESIGNATES CRITICAL CHARACTERISTICS

NOTES:

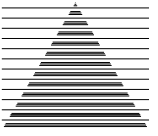
- △ 1-.040-.150 MOTION TO CHANGE STATE.
- 2-PLASTIC PARTS – DELTON™, UV STABLE, FUEL RESISTANT THERMOPLASTIC. TERMINALS – NICKEL PLATED BRASS.
- 3-DATE CODE INDICATING YEAR, MONTH, AND DAY OF MONTH MANUFACTURED STAMPED ON HOUSING.
- △ 4-INTEGRITY OF WELD & SWITCH FUNCTIONALITY TESTED AFTER ASSEMBLY.
- 5-DELTA IS RESPONSIBLE FOR COMPLIANCE TO THIS SPECIFICATION. THE FUNCTION AND ADEQUACY OF THE SAFETY "SYSTEM" IN WHICH THIS COMPONENT IS USED IS THE RESPONSIBILITY OF THOSE THAT DESIGN AND BUILD THE SYSTEM (INCLUDING BUT NOT LIMITED TO THE SEAT DESIGN, SWITCH LOCATION, FOAM DENSITY AND DESIGN).
- 6-THIS PRODUCT IS COVERED BY ONE OR MORE OF THE FOLLOWING U.S. PATENTS; 4,812,604; 4,795,865. OTHER PATENTS APPLIED FOR.

DELTA SYSTEMS, INC. DOES NOT ASSUME ANY LIABILITY ARISING OUT OF THE MISAPPLICATION OF ANY PRODUCT

UNLESS OTHERWISE SPECIFIED DIMENSIONS ARE IN INCHES TOLERANCES ARE:
.XX± .020 .XXX± .005 ANG±

DO NOT SCALE DRAWING

DRAWN	DATE
AJC	06/05/92
CHECKED	DATE
TW	06/08/92
MATERIAL	
NOTE 2	
FINISH	
GRAY	

 <p>DELTA SYSTEMS INC. STREETSBORO, OHIO 44241</p>		TITLE	
		MODEL 6520-51 –ROUND SEAT SWITCH– NORMALLY CLOSED	
SIZE	DWG. NO.	PROJECT NO.	REV
B	6520-51	E-323	F
SCALE	SHEET		OF
FULL	1		1

