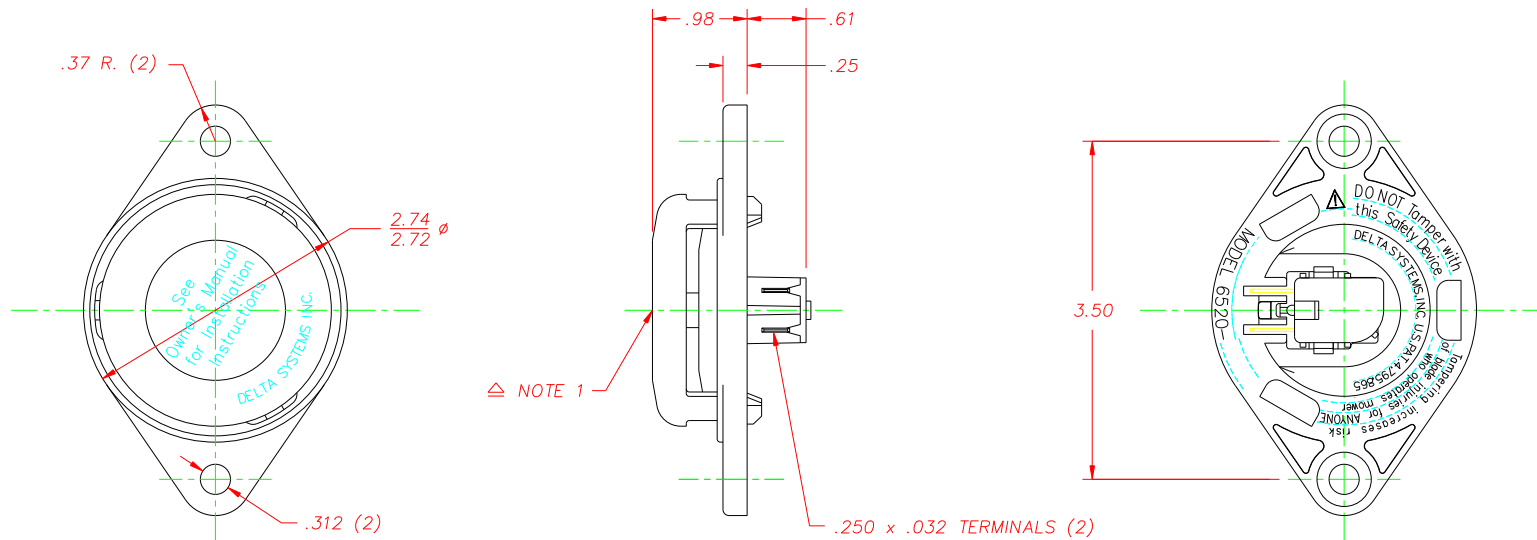


REVISIONS			
~	INITIAL RELEASE, CR 816	06/06/96	TW
A	REVISE INTERNAL CONTACT, CR915	02/06/97	TW
B	FRAME DESIGN CHANGE, CR1251	08/17/00	JH
C	REM. 2.74/2.72 CRIT. CHAR., CN1417	04/14/08	MA

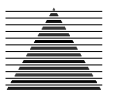


\triangle DESIGNATES CRITICAL CHARACTERISTICS

NOTES:

- \triangle 1-.040-.150 MOTION TO CLOSE CONTACTS.
- 2-PLASTIC PARTS - DELTON™, UV STABLE, FUEL RESISTANT THERMOPLASTIC. TERMINALS - NICKEL PLATED BRASS.
- 3-DATE CODE INDICATING YEAR, MONTH, AND DAY OF MONTH MANUFACTURED STAMPED ON HOUSING.
- \triangle 4-INTEGRITY OF WELD & SWITCH FUNCTIONALITY TESTED AFTER ASSEMBLY.
- 5-DELTA IS RESPONSIBLE FOR COMPLIANCE TO THIS SPECIFICATION. THE FUNCTION AND ADEQUACY OF THE SAFETY "SYSTEM" IN WHICH THIS COMPONENT IS USED IS THE RESPONSIBILITY OF THOSE THAT DESIGN AND BUILD THE SYSTEM (INCLUDING BUT NOT LIMITED TO THE SEAT DESIGN, SWITCH LOCATION, FOAM DENSITY AND DESIGN).
- 6-THIS PRODUCT IS COVERED BY ONE OR MORE OF THE FOLLOWING U.S. PATENTS; 4,812,604; 4,795,865. OTHER PATENTS APPLIED FOR.
- 7-THIS MODEL IS A UL RECOGNIZED COMPONENT.
- 8-INTERNAL CONTACT IS BeCu.

DELTA SYSTEMS, INC. DOES NOT ASSUME ANY LIABILITY ARISING OUT OF THE MISAPPLICATION OF ANY PRODUCT		DRAWN LMM	DATE 05/24/96
		CHECKED TW	DATE 06/06/96
		MATERIAL SEE NOTE 2	
COMPUTER GENERATED DRAWING - NO MANUAL CHANGES ALLOWED		FINISH GRAY/WHITE	
UNLESS OTHERWISE SPECIFIED DIMENSIONS ARE IN INCHES TOLERANCES ARE: .XXX± .02 .XXX± .005 ANG± 1°		DO NOT SCALE DRAWING	

 DELTA SYSTEMS INC. STREETSBORO, OHIO 44241		TITLE ROUND SEAT SWITCH NORMALLY OPEN	
		SIZE C	DWG. NO. 6520-01FR
SCALE FULL	PROJECT NO. E-311	REV C	

