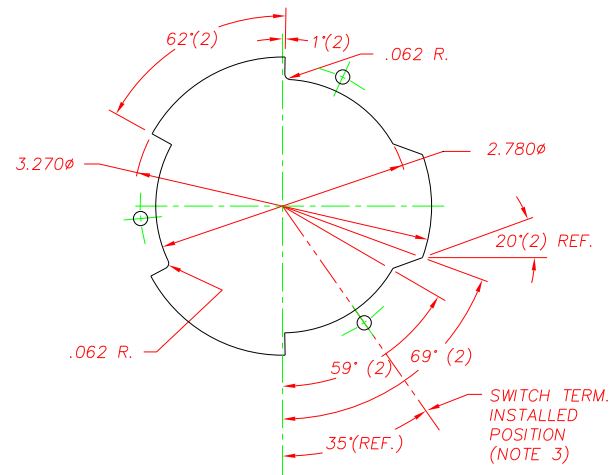
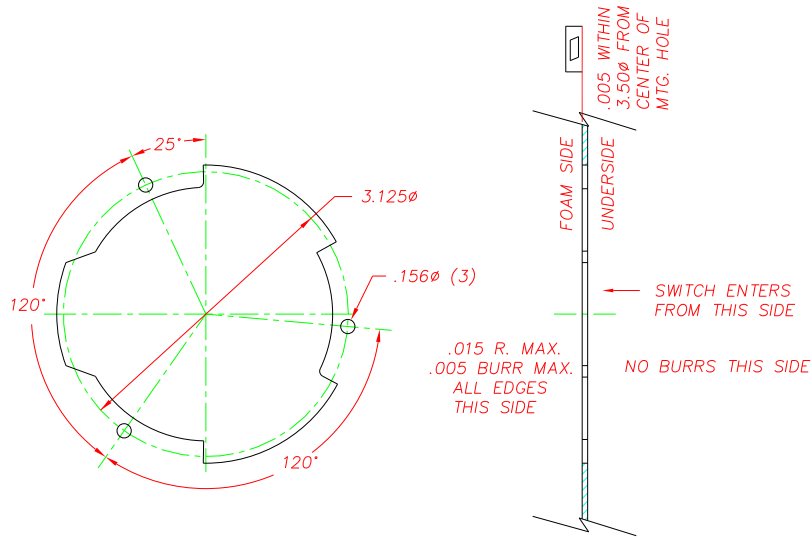
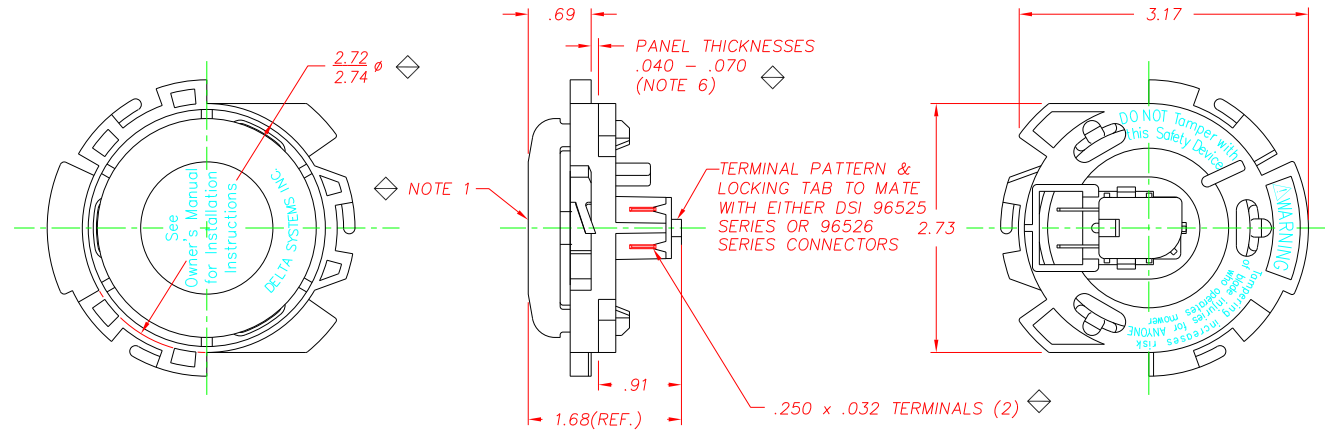


REVISIONS			
H	ELIMINATED SHEARING, CR 826	07/31/96	TW
J	REV. NOTES & TITLE BLOCK, CR 992	07/17/97	TW
K	REVISED TAB & CONCTR P/N, CR1627	02/24/06	MA




RECOMMENDED MOUNTING HOLE
(FOR REFERENCE ONLY)



NOTES:

- 1-.040-.150 MOTION TO MAKE OR BREAK CONTACTS.
- 2-PLASTIC PARTS - DELTON™, UV STABLE, FUEL RESISTANT THERMOPLASTIC.
TERMINALS - NICKEL PLATED BRASS.
- 3-SWITCH REQUIRES 55° CLOCKWISE ROTATION TO LOCK IN PLACE (VIEWED FROM UNDERSIDE OF SEAT PAN).
- 4-4 ± 1.0 LBS. ACTUATION FORCE AT .30" DEPRESSION OF ACTUATOR CAP.
- 5-PROPERLY INSTALLED SWITCH FRAME WILL SUPPORT A STATIC LOAD OF 350 LBS. AT 60°.
- 6-THICKNESS INCLUDES PAINT AND/OR ANY OTHER LAYERS APPLIED BETWEEN SWITCH AND PANEL.
- 7-DATE CODE INDICATING YEAR, MONTH, AND DAY OF MONTH MANUFACTURED STAMPED ON HOUSING.
- 8-INTEGRITY OF WELD & SWITCH FUNCTIONALITY TESTED AFTER ASSEMBLY. ◊
- 9-SWITCH IS BLACK. ACTUATOR CAP & FRAME ARE GRAY.
- 10-DELTA IS RESPONSIBLE FOR COMPLIANCE TO THIS SPECIFICATION. THE FUNCTION AND ADEQUACY OF THE SAFETY "SYSTEM" IN WHICH THIS COMPONENT IS USED IS THE RESPONSIBILITY OF THOSE THAT DESIGN AND BUILD THE SYSTEM (INCLUDING BUT NOT LIMITED TO THE SEAT DESIGN, SWITCH LOCATION, FOAM DENSITY AND DESIGN).
- 11-THIS PRODUCT COVERED BY THE FOLLOWING U.S. PATENT; 5,424,502.

DELTA SYSTEMS, INC. DOES NOT ASSUME ANY LIABILITY ARISING OUT OF THE MISAPPLICATION OF ANY PRODUCT		DRAWN AJC DATE 06/22/93	 DELTA SYSTEMS INC. STREETSBORO, OHIO 44241
COMPUTER GENERATED DRAWING - NO MANUAL CHANGES ALLOWED		CHECKED TW DATE 06/23/93	
UNLESS OTHERWISE SPECIFIED DIMENSIONS ARE IN INCHES TOLERANCES ARE: .XX± .XXX± ANG±		MATERIAL SEE NOTE 2	TITLE N.O. TWIST LOCK MOUNT SEAT SWITCH
DO NOT SCALE DRAWING		FINISH SEE NOTE 9	SIZE C DWG. NO. 6500-02
			SCALE FULL PROJECT NO. EX311 REV K