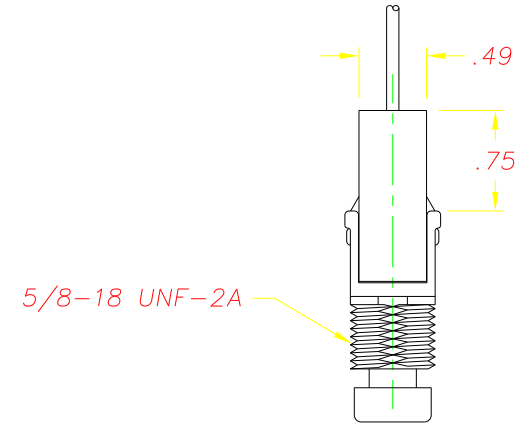


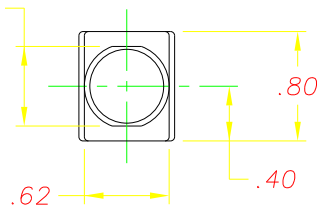
REVISIONS

~	INITIAL RELEASE, CR 1104	03/18/98	JH
A	REVISE WIRE LENGTH, CR 1257	01/19/99	JH
B	EDITED TEXT	04/09/01	JH
C	REV WIRES ADD STRIP, CR 1444	08/27/01	JH
D	.035 WAS .045, CN 0973	03/08/05	JH



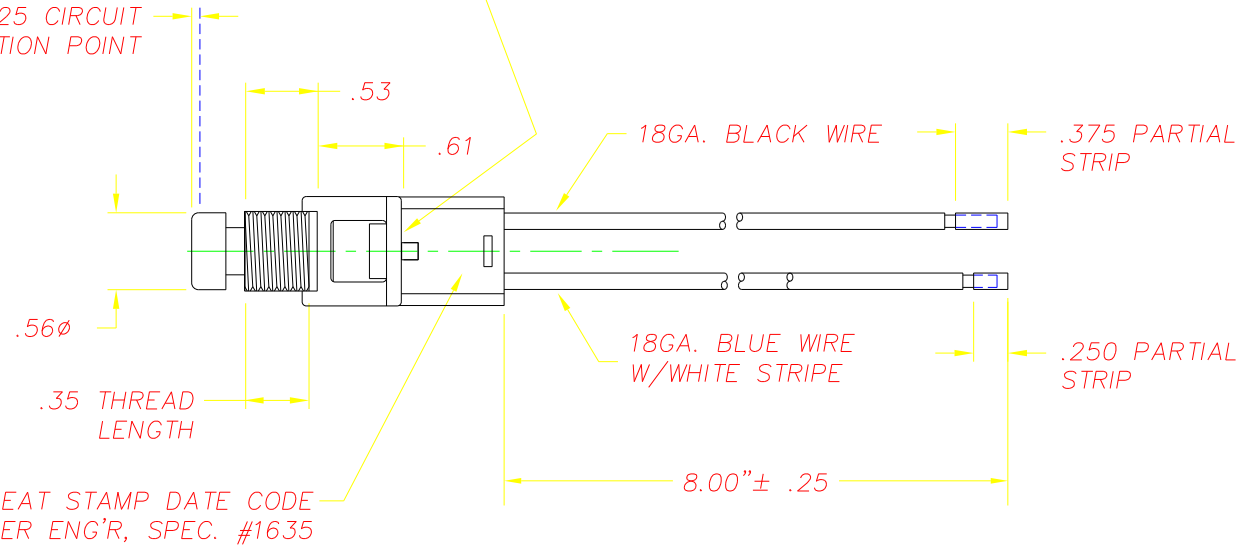
FORCE REQUIRED TO DEPRESS PLUNGER - 2.4 LBS. ±.3 LB.

.58 ACROSS FLATS



(D) .035±.025 CIRCUIT ACTIVATION POINT

RETAINER MUST LATCH SECURELY TO HOUSING



NOTES:

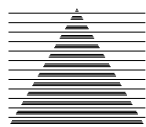
1-SWITCH HOUSING, RETAINER, AND BUTTON ARE CELCON, 12% GLASS, COLOR - BLACK.

DELTA SYSTEMS, INC. DOES NOT ASSUME ANY LIABILITY ARISING OUT OF THE MISAPPLICATION OF ANY PRODUCT

COMPUTER GENERATED DRAWING - NO MANUAL CHANGES ALLOWED

UNLESS OTHERWISE SPECIFIED DIMENSIONS ARE IN INCHES TOLERANCES ARE:
 .xx± .02 .xxx± .005 ANG± 1°
 DO NOT SCALE DRAWING

DRAWN	DATE
LMM	03/18/98
CHECKED	DATE
JH	03/18/98
MATERIAL	NOTED
FINISH	NOTED



DELTA
SYSTEMS INC.
STREETSBORO, OHIO 44241

TITLE		STOP SWITCH ASSEMBLY NORMALLY OPEN	
SIZE	DWG. NO.	7075-09	
SCALE	PROJECT NO.	REV	
FULL	EX355	D	