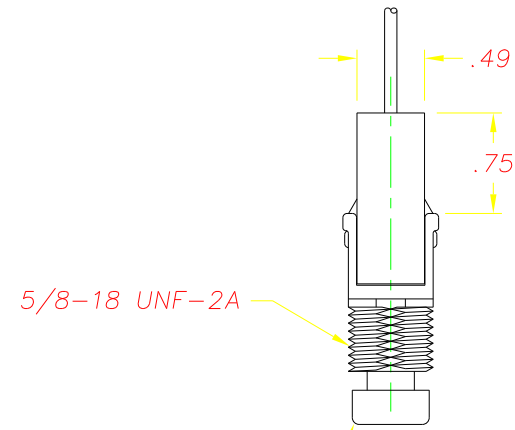
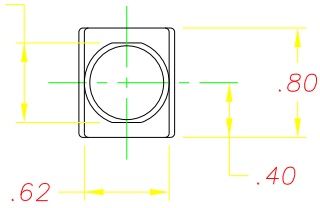


| REVISIONS | | | |
|-----------|----------------------------|----------|----|
| ~ | RELEASED FROM EX, CR 1069A | 03/24/98 | JH |
| A | EDITED TEXT | 04/09/01 | JH |
| B | .035 WAS .045, CN 0973 | 03/08/05 | JH |



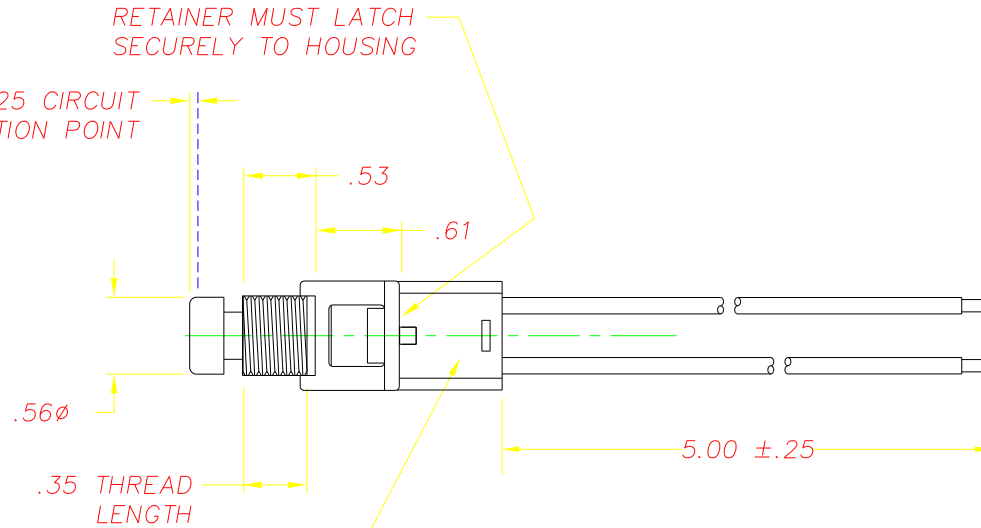
FORCE REQUIRED TO DEPRESS PLUNGER - 2.4 LBS. ±.3 LB.

.58 ACROSS FLATS



(B) .035±.025 CIRCUIT
(A) ACTIVATION POINT

RETAINER MUST LATCH SECURELY TO HOUSING

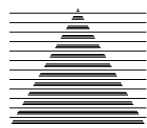


HEAT STAMP DATE CODE PER ENG'R, SPEC. #1635

NOTES:

1-SWITCH HOUSING, RETAINER, AND BUTTON ARE CELCON, 12% GLASS, COLOR - BLACK.

| | | | |
|--|--|-------------------|------------------|
| DELTA SYSTEMS, INC. DOES NOT ASSUME ANY LIABILITY ARISING OUT OF THE MISAPPLICATION OF ANY PRODUCT | | DRAWN LMM | DATE 12/17/97 |
| COMPUTER GENERATED DRAWING - NO MANUAL CHANGES ALLOWED | | CHECKED JH | DATE 03/24/98 |
| UNLESS OTHERWISE SPECIFIED DIMENSIONS ARE IN INCHES TOLERANCES ARE: .xx± .02 .xxx± .005 ANG± 1° | | MATERIAL NOTED | |
| DO NOT SCALE DRAWING | | FINISH NOTED | |

| | | | |
|---|----------------------|---|--|
|  | | DELTA SYSTEMS INC. STREETSBORO, OHIO 44241 | |
| TITLE STOP SWITCH ASSEMBLY NORMALLY OPEN | | | |
| SIZE B | DWG. NO. 7075-08 | | |
| SCALE FULL | PROJECT NO. EX355 | REV B | |