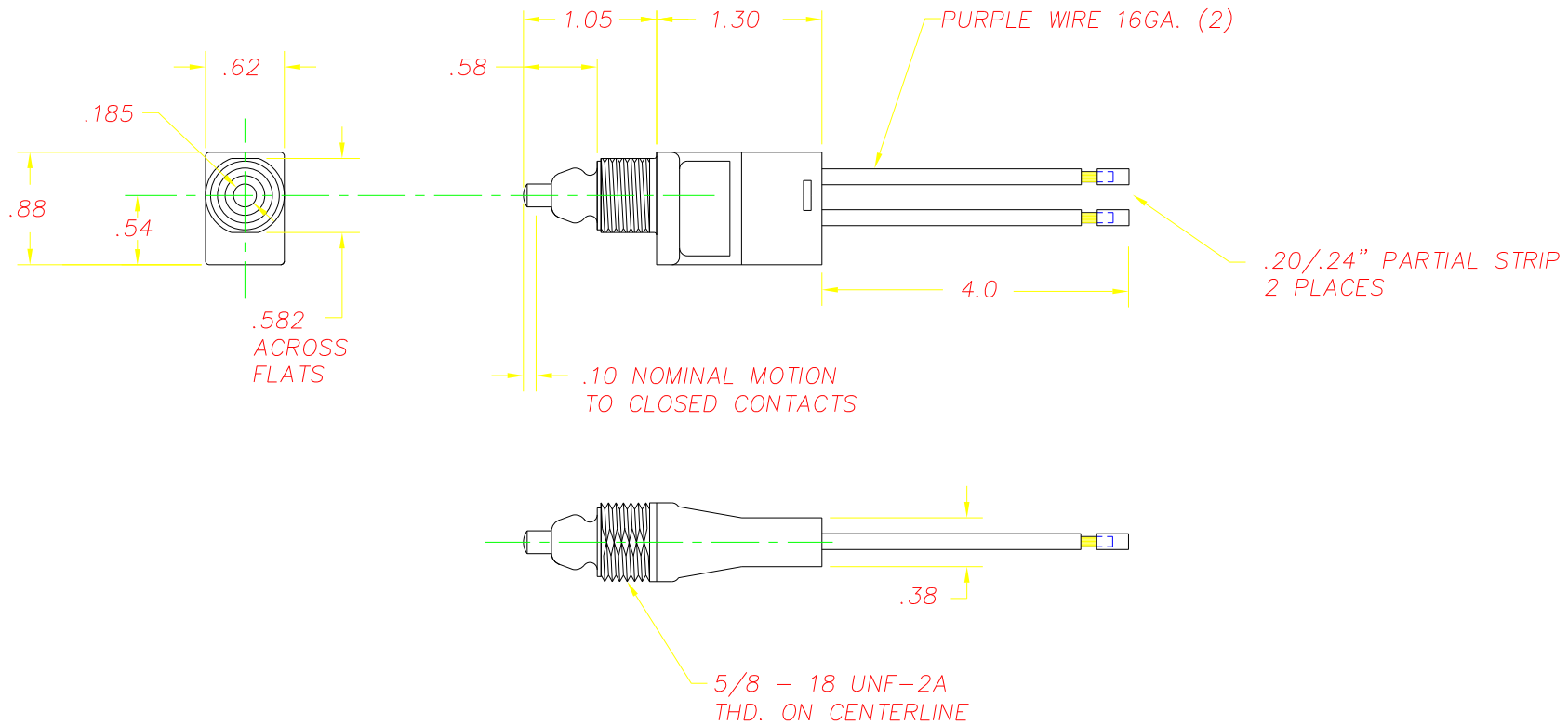


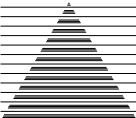
REVISIONS		
~	INITIAL RELEASE, CR 1473	04/30/02 JH



NOTES:

- 1 - SWITCH HOUSING AND PLUNGER ARE CONSTRUCTED OF UV STABILIZED FUEL RESISTANT THERMOPLASTIC.
- 2 - NORMALLY OPEN SWITCH, SPRING BIASED TO POSITION SHOWN.
- 3 - DATE CODE ON HOUSING PER DSI SPEC. #1635.

DELTA SYSTEMS, INC. DOES NOT ASSUME ANY LIABILITY ARISING OUT OF THE MISAPPLICATION OF ANY PRODUCT		DRAWN	DATE
		JLM	03/19/02
COMPUTER GENERATED DRAWING - NO MANUAL CHANGES ALLOWED		CHECKED	DATE
		JH	04/30/02
UNLESS OTHERWISE SPECIFIED DIMENSIONS ARE IN INCHES TOLERANCES ARE: .XX± .02 .XXX± .005 ANG± 1° DO NOT SCALE DRAWING		MATERIAL	
		AS NOTED	
DO NOT SCALE DRAWING		FINISH	
		AS NOTED	

		DELTA SYSTEMS INC. STREETSBORO, OHIO 44241	
TITLE: TETHER SWITCH NORMALLY OPEN			
SIZE	B	DWG. NO.	7050-52
SCALE	FULL	PROJECT NO.	EX312
			REV
			~