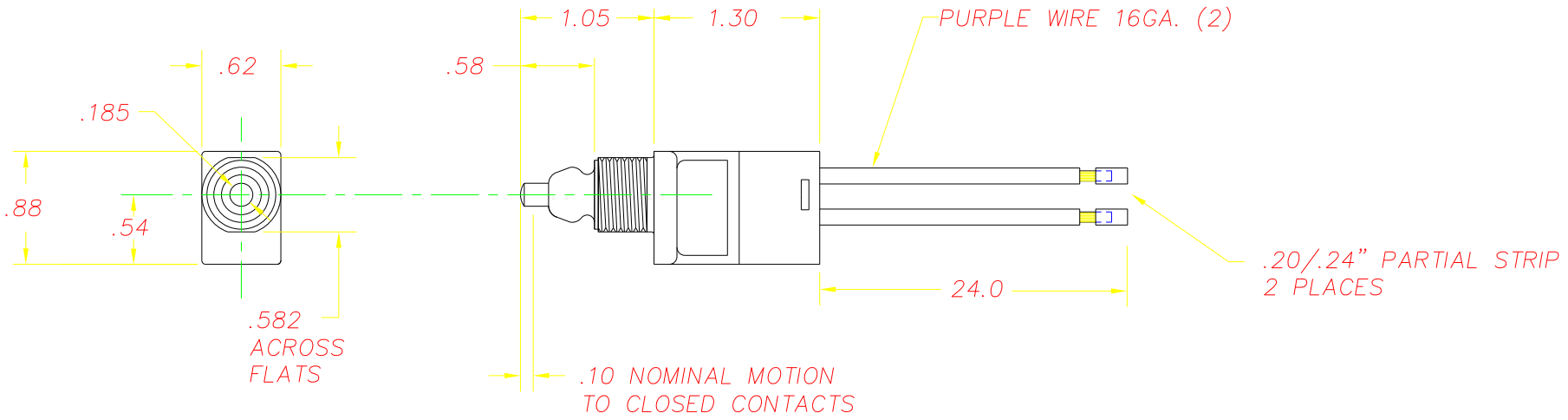


REVISIONS			
X2	UPDATED TERMINAL INFORMATION	10/05/95	TW
~	RELEASE FROM EX, CR 762	12/21/95	TW
A	REVISED WIRE ASSEMBLY, CR 771	01/25/96	TW
B	ADDED DATE CODE NOTE	10/05/99	JH

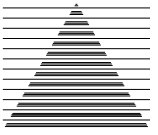


NOTES:

- 1 - SWITCH HOUSING AND PLUNGER ARE CONSTRUCTED OF UV STABILIZED FUEL RESISTANT THERMOPLASTIC.
- 2 - NORMALLY OPEN SWITCH, SPRING BIASED TO POSITION SHOWN.
- 3 - DATE CODE ON HOUSING PER DSI SPEC. #1635.

UNLESS OTHERWISE SPECIFIED
DIMENSIONS ARE IN INCHES
TOLERANCES ARE:
.XX± .020 .XXX± .005 ANG± 1°
DO NOT SCALE DRAWING

DRAWN	DATE
LMM	09/19/95
CHECKED	DATE
TW	09/19/95
MATERIAL	
AS NOTED	
FINISH	
AS NOTED	

		DELTA SYSTEMS INC. STREETSBORO, OHIO 44241	
TITLE			
TETHER SWITCH, NORMALLY OPEN			
SIZE	DWG. NO.	PROJECT NO.	REV
B	7050-20	E-312	B
SCALE	SHEET		OF
FULL	1		1