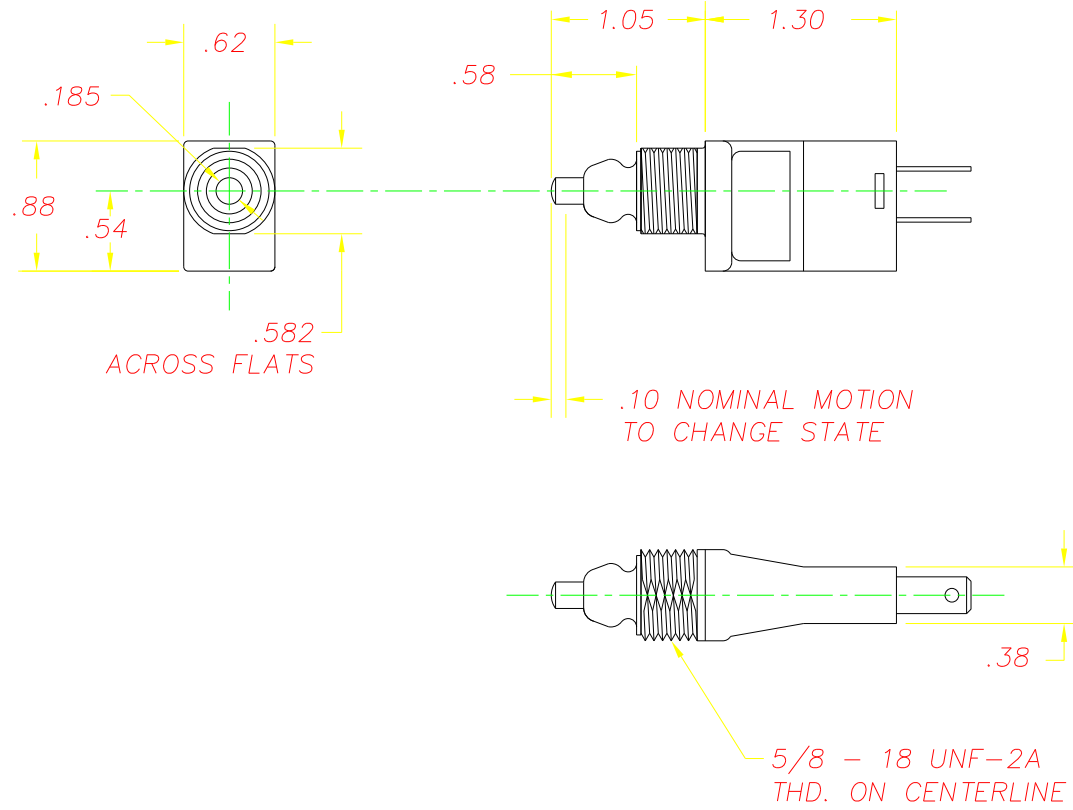


REVISIONS

~	INITIAL RELEASE	06/06/96	TW
---	-----------------	----------	----



NOTES:

- 1-INITIAL VOLTAGE DROP MEASURED ACROSS TERMINALS IS 100mv MAXIMUM AT 3 AMPS WITH 12-15 VDC APPLIED.
- 2-SWITCH CIRCUIT WHEN OPEN WILL WITHSTAND 500 VOLTS DC WITH A MAX. OF 5ma LEAKAGE (100K OHMS MIN)
- 3-SWITCH HOUSING AND PLUNGER ARE CONSTRUCTED OF A UV STABILIZED FUEL RESISTANT THERMOPLASTIC

DELTA SYSTEMS, INC. DOES NOT ASSUME ANY LIABILITY ARISING OUT OF THE MISAPPLICATION OF ANY PRODUCT		DRAWN <b>LMM</b>	DATE <b>06/06/96</b>
		CHECKED	DATE
COMPUTER GENERATED DRAWING - NO MANUAL CHANGES ALLOWED		MATERIAL AS NOTED	
		FINISH AS NOTED	
UNLESS OTHERWISE SPECIFIED DIMENSIONS ARE IN INCHES TOLERANCES ARE: .XX± .02 .XXX± .005 ANG± 1°		DO NOT SCALE DRAWING	

	<b>DELTA</b> SYSTEMS INC. STREETSBORO, OHIO 44241		
	TITLE <b>TETHER SWITCH                  NORMALLY OPEN</b>		
SIZE <b>B</b>	DWG. NO. <b>7050-16</b>		PROJECT NO. <b>E-312</b>
SCALE <b>FULL</b>		REV <b>~</b>	~