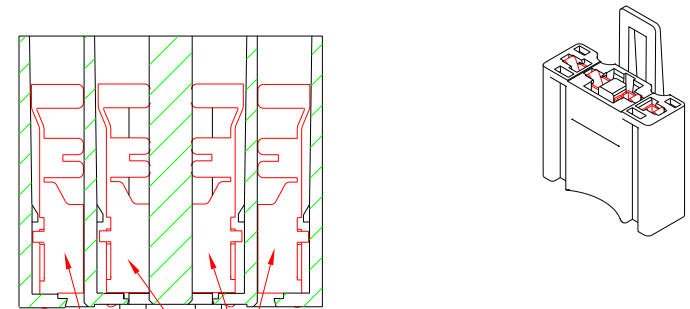
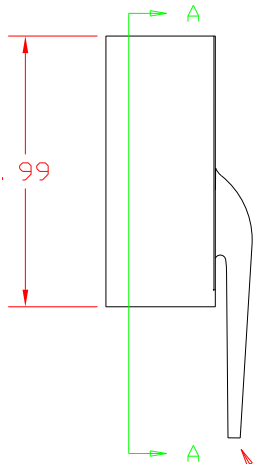
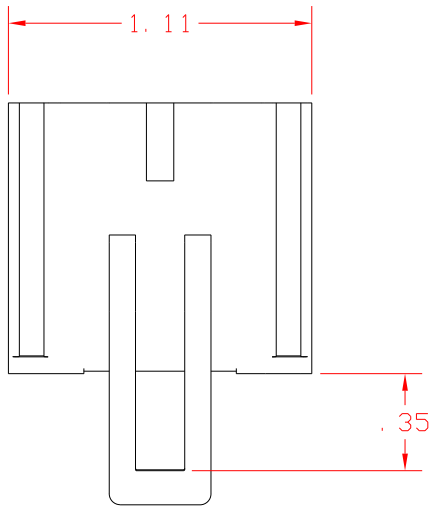


REVISIONS		
~	NEW RELEASE PER CR1397	10/02/00 JH

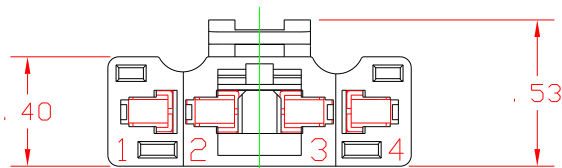


SECTION A-A

INSIDE TERMINALS
SWITCH POLE A
("2" & "3")
SEE NOTE 2

OUTSIDE SWITCH TERMINALS
SWITCH POLE B ("1" & "4")
SEE NOTE 2

SEE NOTE 1



△ DESIGNATES CRITICAL CHARACTERISTIC

NOTES:

- 1) LOCKING CLIP MATES WITH DSI 6444/6544 SERIES SWITCH.
- △ 2) PACKARD 280 SERIES, CUSTOMER INSTALLED TERMINALS, 2-4 REQUIRED:

TYPICAL P/N:	WIRE GAUGE
12034046	18-20
12066214	14-16
- 3) PATENT PENDING
- 4) SWITCH MATERIAL IS DELTON; UV STABLE, FUEL RESISTANT THERMOPLASTIC.

DELTA SYSTEMS, INC. DOES NOT ASSUME ANY LIABILITY ARISING OUT OF THE MISAPPLICATION OF ANY PRODUCT

COMPUTER GENERATED DRAWING - NO MANUAL CHANGES ALLOWED

UNLESS OTHERWISE SPECIFIED DIMENSIONS ARE IN INCHES TOLERANCES ARE:
 .xx± .02 .xxx± .005 ANG±

DO NOT SCALE DRAWING

DRAWN	DATE
DMR	10/02/00
CHECKED	DATE
JH	10/02/00
MATERIAL	
SEE NOTE 4	
FINISH	
GRAY	

DELTA SYSTEMS INC. STREETSBORO, OHIO 44241	
SIZE	DWG. NO.
B	96546-GY
SCALE	PROJECT NO.
2X	EX360
REV	~