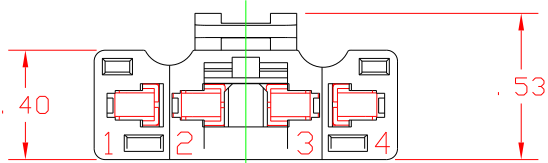
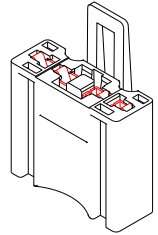
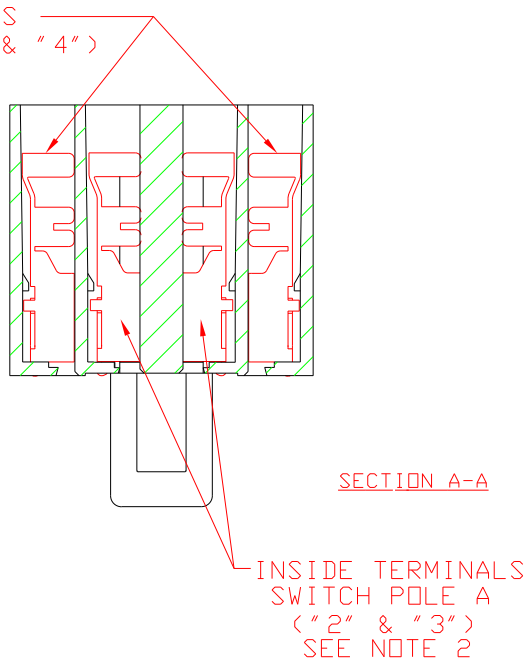
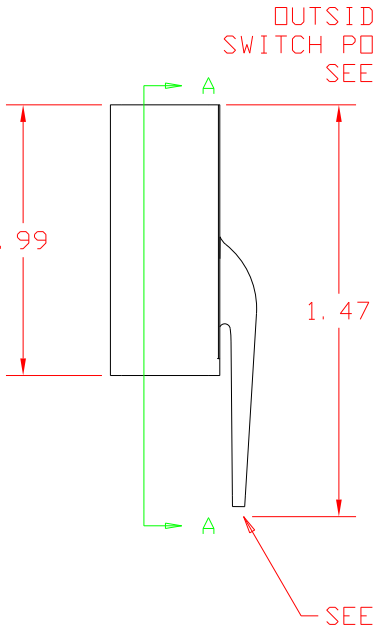
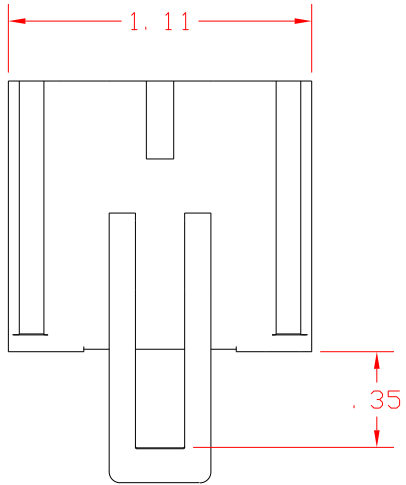


REVISIONS			
~	INITIAL RELEASE, CR 1338	10/11/99	JH
A	REV TERM SPEC, ADD CRITICAL CHAR.	02/22/00	JH
"	REV SECTION VIEW, CR 1373	" " "	"
B	ADDED TEXT PER CR1397	10/02/00	JH



△ DESIGNATES CRITICAL CHARACTERISTIC

NOTES:

- 1) LOCKING CLIP MATES WITH DSI 6444/6544 SERIES SWITCH.
- △ 2) PACKARD 280 SERIES, CUSTOMER INSTALLED TERMINALS, 2-4 REQUIRED:
- (A) TYPICAL P/N: WIRE GAUGE
- 12034046 18-20
- 12066214 14-16
- 3) PATENT PENDING
- 4) SWITCH MATERIAL IS DELTON; UV STABLE, FUEL RESISTANT THERMOPLASTIC.

DELTA SYSTEMS, INC. DOES NOT ASSUME ANY LIABILITY ARISING OUT OF THE MISAPPLICATION OF ANY PRODUCT

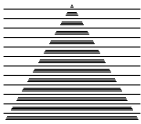
COMPUTER GENERATED DRAWING - NO MANUAL CHANGES ALLOWED

UNLESS OTHERWISE SPECIFIED DIMENSIONS ARE IN INCHES TOLERANCES ARE:

.xx± .02 .xxx± .005 ANG±

DO NOT SCALE DRAWING

DRAWN	DATE
MEL	06/25/99
CHECKED	DATE
JH	10/11/99
MATERIAL	
SEE NOTE 4	
FINISH	
BLACK	

		DELTA SYSTEMS INC. STREETSBORO, OHIO 44241	
		TITLE LOW PROFILE NON-SHORTING CONNECTOR ASSEMBLY	
SIZE	B	DWG. NO.	96546-BK
SCALE	2X	PROJECT NO.	EX360
		REV	B