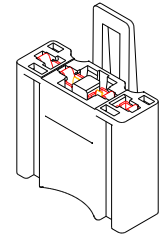
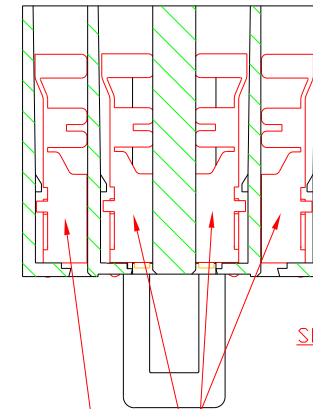
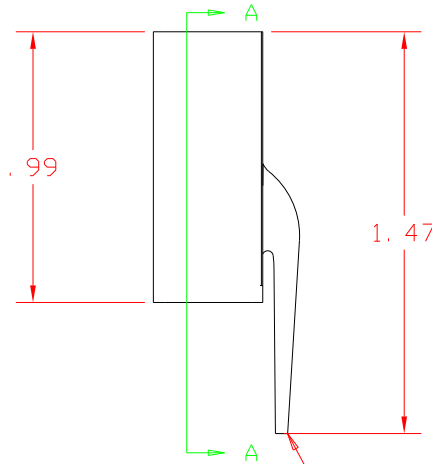
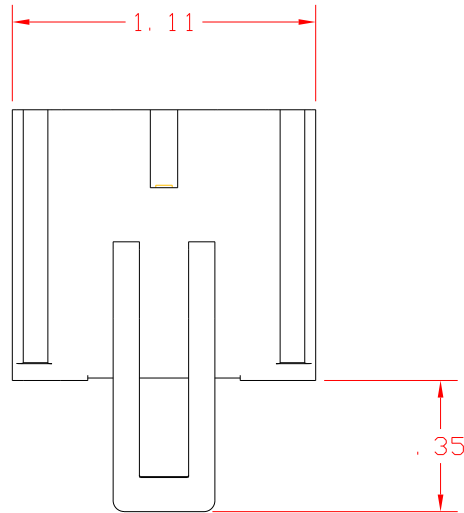


REVISIONS

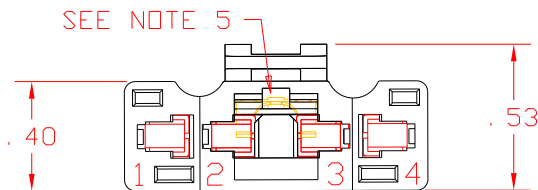
~	NEW RELEASE PER CR1397	10/02/00	JH
---	------------------------	----------	----



SECTION A-A

INSIDE TERMINALS
SWITCH POLE A
("2" & "3")
SEE NOTE 2

OUTSIDE SWITCH TERMINALS
SWITCH POLE B ("1" & "4")
SEE NOTE 2



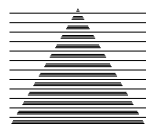
△ DESIGNATES CRITICAL CHARACTERISTIC

NOTES

- 1) LOCKING CLIP MATES WITH DSI 6444/6544 SERIES SWITCH.
 - △ 2) PACKARD 280 SERIES, CUSTOMER INSTALLED TERMINALS, 2-4 REQUIRED:
- | TYPICAL P/N | WIRE GAUGE |
|-------------|------------|
| 12034046 | 18-20 |
| 12066214 | 14-16 |
- 3) PATENT PENDING
 - 4) SWITCH MATERIAL IS DELTON; UV STABLE, FUEL RESISTANT THERMOPLASTIC.
 - 5) SHORTING SPRING SHOWN IN FAIL SAFE MODE (NORMALLY CLOSED, POLE A). SPRING MOVES AWAY FROM TERMINALS WHEN PLUGGED INTO DSI SWITCH.
 - 6) DATE CODE INDICATES YEAR, MONTH AND DAY OF MANUFACTURE.

DELTA SYSTEMS, INC. DOES NOT ASSUME ANY LIABILITY ARISING OUT OF THE MISAPPLICATION OF ANY PRODUCT	
COMPUTER GENERATED DRAWING - NO MANUAL CHANGES ALLOWED	UNLESS OTHERWISE SPECIFIED DIMENSIONS ARE IN INCHES TOLERANCES ARE: .xx± .02 .xxx± .005 ANG±
DO NOT SCALE DRAWING	

DRAWN	DATE
DMR	10/02/00
CHECKED	DATE
JH	10/02/00
MATERIAL	
SEE NOTE 4	
FINISH	
BLACK	

 DELTA SYSTEMS INC. STREETSBORO, OHIO 44241	
TITLE	
LOW PROFILE SHORTING CONNECTOR ASSEMBLY	
SIZE	DWG. NO.
B	96545-BK
SCALE	PROJECT NO.
2X	EX360
REV	~