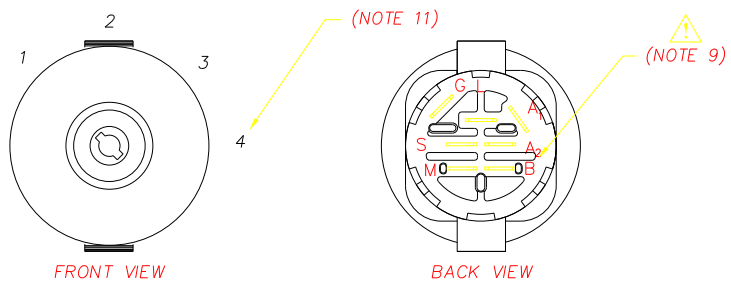
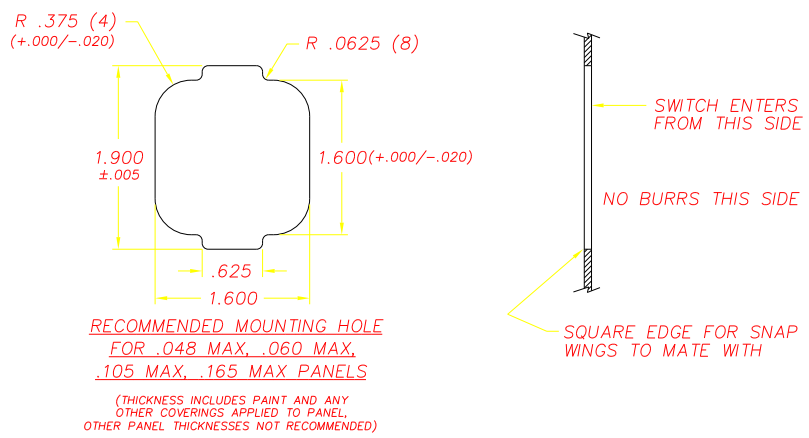
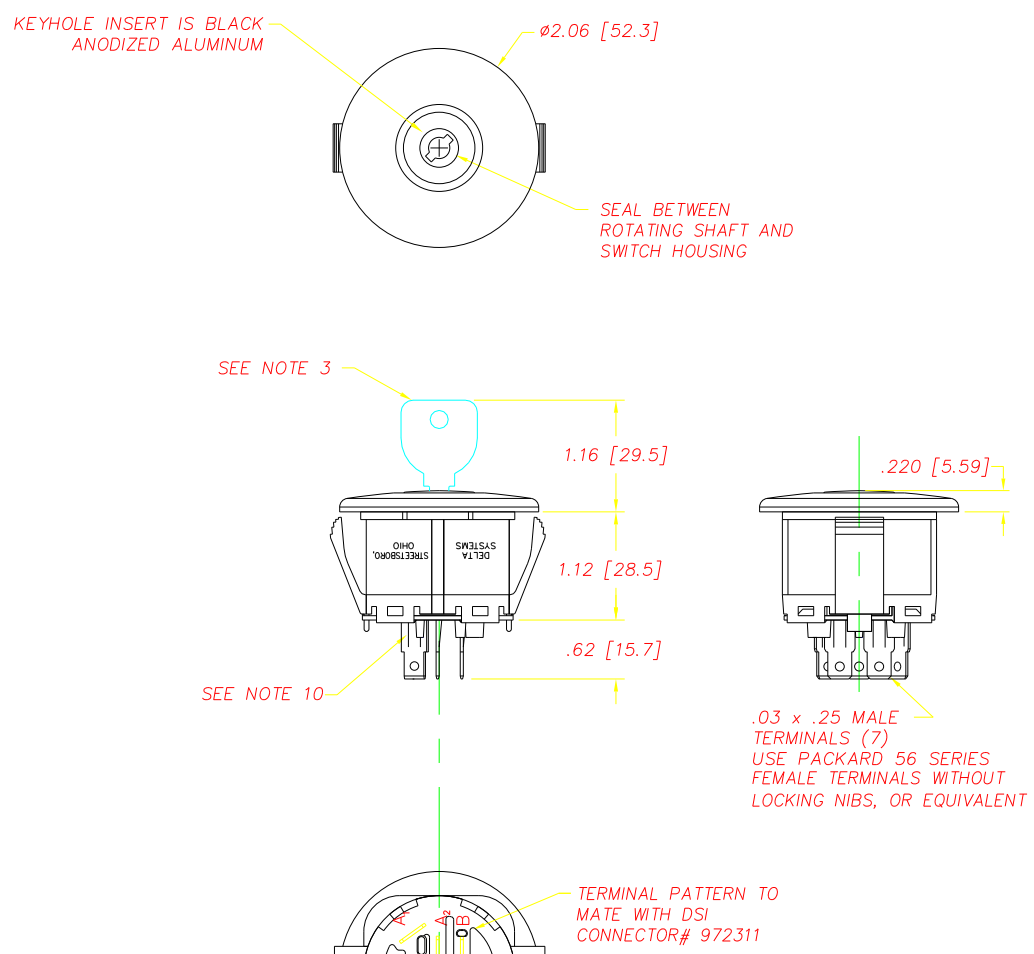


REVISIONS			
~	INITIAL RELEASE, CR1294	7/21/99	ML
A	DEFINED CRITICAL CHARACTERISTICS	05/08/00	JH
B	BACK COLOR COVER CHANGE	09/18/00	JH
C	REMOVE CRITICAL DIM., GR 1477	06/02/03	JH



POSITION	ROTATION	FUNCTION	CONTACT 1	CONTACT 2
1	0°	OFF	M+G+A ₁	~
2	45°	RUN1	B+A ₁	~
3	95°	RUN2	B+A ₁	L+A ₂
4	135°	START	B+S+A ₁	~



NOTES

- 1-DIM.'S IN BRACKET [] ARE IN MILLIMETERS; MILLIMETER TOLERANCES ARE .X± .5, .XX± .15.
- 2-PLASTIC PARTS ARE DELTON™ (BLACK HOUSING, GRAY BACK COVER). TERMINALS ARE BRASS.
- 3-KEY IS SHIPPED SEPARATELY. MAXIMUM TORQUE FOR KEY IS 20 IN LBS. USE DELTA KEY ONLY. DELTA STEEL KEY PART# 688S-STD.
- 4-SWITCH STYLE STAMPED ON HOUSING.
- 5-DATE CODE INDICATING YEAR, MONTH, AND DAY OF MONTH MANUFACTURED STAMPED ON HOUSING.
- 6-SWITCH ELECTRICAL FUNCTIONALITY TESTED AFTER ASSEMBLY.
- 7-ELECTRICAL RATING, CONTINUOUS: 20A @ 12-14 VDC. ELECTRICAL LIFE: 1K CYCLES @ 10 AMPS INDUCTIVE. 10K CYCLES @ 5 AMPS INDUCTIVE. 50K CYCLES @ 5 AMPS RESISTIVE.
- 8-THIS PRODUCT COVERED BY U.S. PATENT NO. 5252791 OTHER PATENTS APPLIED FOR
- 9-SWITCH SHOULD NEVER BE MOUNTED IN PANEL WITH THE "B" TERMINAL DIRECTLY ABOVE THE "G" TERMINAL, RELATIVE TO GRAVITY.
- 10-PULL FORCE TO DISLOCATE BACK COVER IS 80 LBS. MINIMUM.
- 11-POSITION 4 IS MOMENTARY.
- 12-ALL OTHER CONTACT COMBINATIONS ARE NOT ALLOWED.

DELTA SYSTEMS, INC. DOES NOT ASSUME ANY LIABILITY ARISING OUT OF THE MISAPPLICATION OF ANY PRODUCT		DRAWN DMR DATE 7/21/99	CHECKED ML DATE 7/21/99	DELTA SYSTEMS INC. STREETSBORO, OHIO 44241
COMPUTER GENERATED DRAWING - NO MANUAL CHANGES ALLOWED		UNLESS OTHERWISE SPECIFIED DIMENSIONS ARE IN INCHES TOLERANCES ARE: .XX± .02 .XXX± .005 ANG± 1° DO NOT SCALE DRAWING		TITLE LAWN & GARDEN IGNITION SWITCH
MATERIAL SEE NOTE 2		FINISH SEE NOTE 2		SIZE C
SCALE FULL		DWG. NO. 6901-49		PROJECT NO. EX311
				REV C