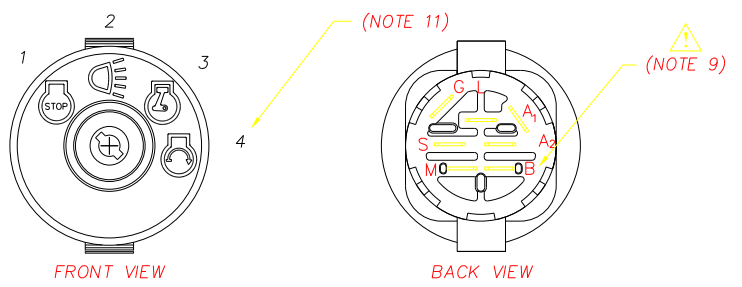
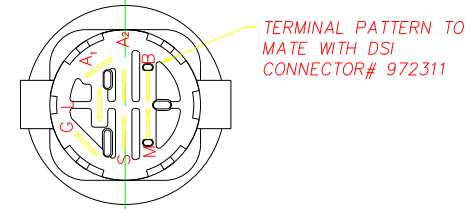
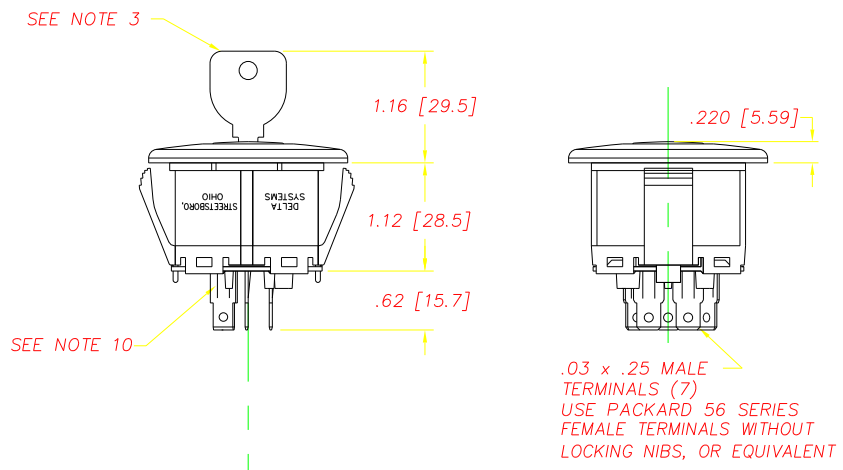
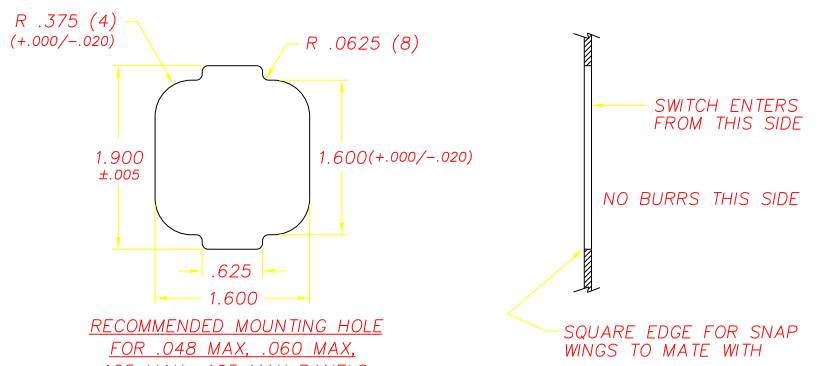
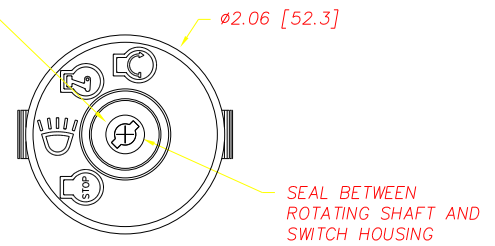


| REVISIONS |                                  |          |    |
|-----------|----------------------------------|----------|----|
| ~         | INITIAL RELEASE, CR 1294         | 7/19/99  | ML |
| A         | DEFINED CRITICAL CHARACTERISTICS | 05/08/00 | JH |
| B         | BACK COVER COLOR CHANGE, 1384    | 09/11/00 | JH |
| C         | REMOVE CRITICAL DIM, CR 1477     | 06/02/03 | JH |



| POSITION | ROTATION | FUNCTION | CONTACT 1          | CONTACT 2        |
|----------|----------|----------|--------------------|------------------|
| 1        | 0°       | OFF      | M+G+A <sub>1</sub> | ~                |
| 2        | 45°      | RUN1     | B+A <sub>1</sub>   | L+A <sub>2</sub> |
| 3        | 95°      | RUN2     | B+A <sub>1</sub>   | ~                |
| 4        | 135°     | START    | B+S+A <sub>1</sub> | ~                |

KEYHOLE INSERT IS BLACK ANODIZED ALUMINUM



**NOTES**

- 1-DIM.'S IN BRACKET [ ] ARE IN MILLIMETERS; MILLIMETER TOLERANCES ARE .X± .5, .XX± .15.
- 2-PLASTIC PARTS ARE DELTON™ (BLACK HOUSING, GRAY BACK COVER). TERMINALS ARE BRONZE. GRAPHICS ARE PAD PRINTED WHITE.
- 3-KEY IS SHIPPED SEPARATELY. MAXIMUM TORQUE FOR KEY IS 20 IN LBS. USE DELTA KEY ONLY. DELTA STEEL KEY PART# 688S-STD.
- 4-SWITCH STYLE STAMPED ON HOUSING.
- 5-DATE CODE INDICATING YEAR, MONTH, AND DAY OF MONTH MANUFACTURED STAMPED ON HOUSING.
- 6-SWITCH ELECTRICAL FUNCTIONALITY TESTED AFTER ASSEMBLY.
- 7-ELECTRICAL RATING, CONTINUOUS: 20A @ 12-14 VDC. ELECTRICAL LIFE: 5K CYCLES @ 10 AMPS INDUCTIVE. 10K CYCLES @ 5 AMPS INDUCTIVE. 50K CYCLES @ 5 AMPS RESISTIVE.
- 8-THIS PRODUCT COVERED BY U.S. PATENT NO. 5252791 OTHER PATENTS APPLIED FOR
- 9-SWITCH SHOULD NEVER BE MOUNTED IN PANEL WITH THE "B" TERMINAL DIRECTLY ABOVE THE "G" TERMINAL, RELATIVE TO GRAVITY.
- 10-PULL FORCE TO DISLOCATE BACK COVER IS 80 LBS. MINIMUM.
- 11-POSITION 4 IS MOMENTARY.
- 12-ALL OTHER CONTACT COMBINATIONS ARE NOT ALLOWED.

DELTA SYSTEMS, INC. DOES NOT ASSUME ANY LIABILITY ARISING OUT OF THE MISAPPLICATION OF ANY PRODUCT

|         |         |
|---------|---------|
| DRAWN   | DATE    |
| DMR     | 7/19/99 |
| CHECKED | DATE    |
| ML      | 7/19/99 |

|          |            |
|----------|------------|
| MATERIAL | SEE NOTE 2 |
| FINISH   | SEE NOTE 2 |

**DELTA SYSTEMS INC.**  
STREETSBORO, OHIO 44241

TITLE: LAWN & GARDEN IGNITION SWITCH WITH PAD PRINTED GRAPHICS

SIZE: C DWG. NO. 6901-47P

SCALE: FULL PROJECT NO. EX338 REV C

COMPUTER GENERATED DRAWING - NO MANUAL CHANGES ALLOWED

UNLESS OTHERWISE SPECIFIED TOLERANCES ARE:  
.XX± .02 .XXX± .005 ANG± 1°  
DO NOT SCALE DRAWING