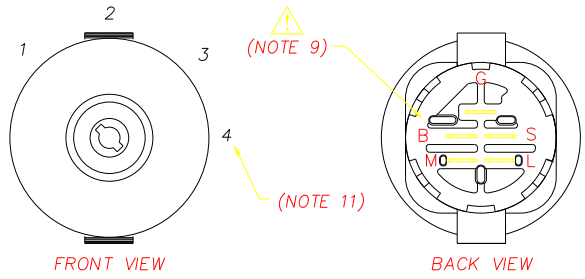
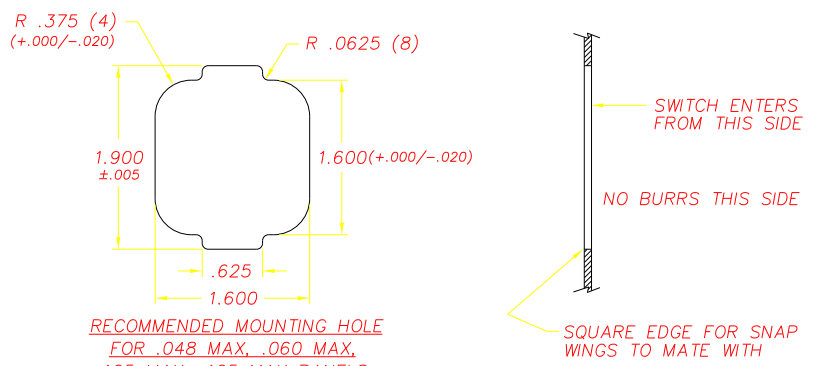


REVISIONS			
~	INITIAL RELEASE, CR1294	7/20/99	ML
A	DEFINED CRITICAL CHARACTERISTICS	05/08/00	JH
B	REMOVE CRITICAL DIM., CR 1477	06/02/03	JH



POSITION	ROTATION	FUNCTION	CONTACT
1	0°	OFF	G+M
2	45°	RUN/LIGHTS	L+B
3	95°	RUN	OPEN
4	135°	START	S+B



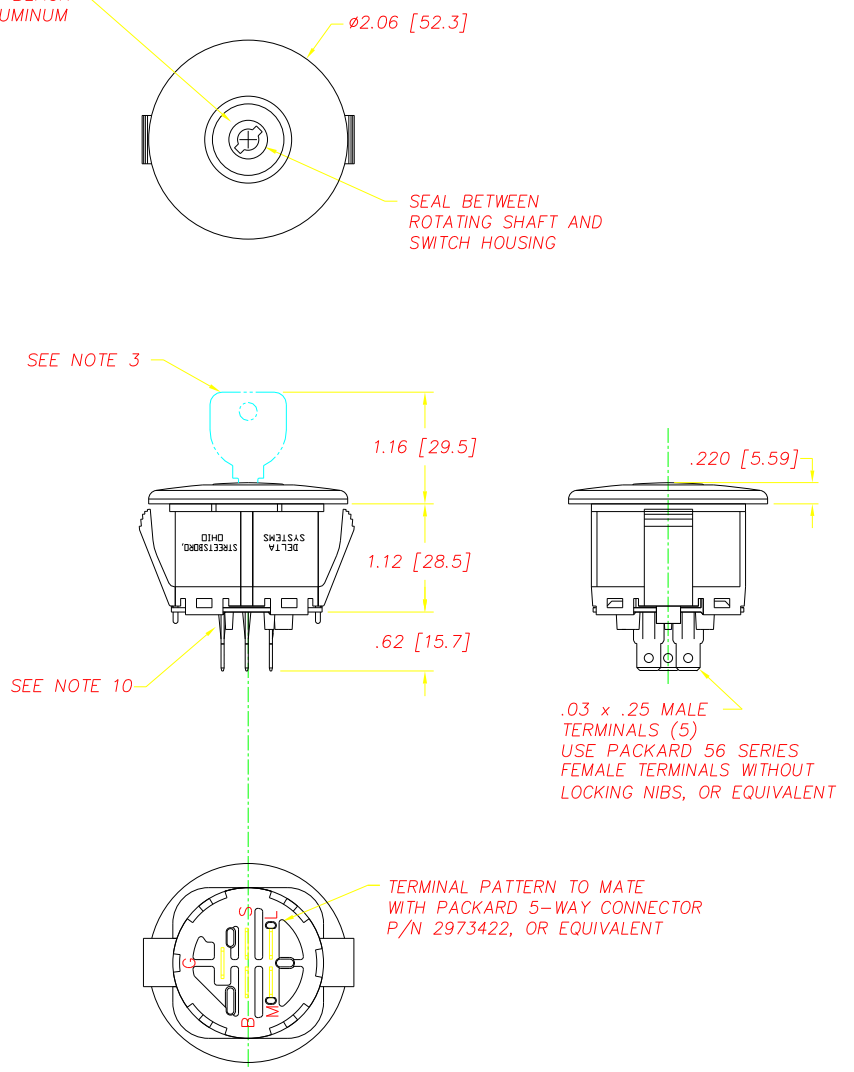
RECOMMENDED MOUNTING HOLE
FOR .048 MAX, .060 MAX,
.105 MAX, .165 MAX PANELS

(THICKNESS INCLUDES PAINT AND ANY
OTHER COVERINGS APPLIED TO PANEL
OTHER PANEL THICKNESSES NOT RECOMMENDED)

NOTES

- 1-DIM.'S IN BRACKET [] ARE IN MILLIMETERS; MILLIMETER TOLERANCES ARE .X± .5, .XX± .15.
- 2-PLASTIC PARTS ARE DELTON™ (BLACK). TERMINALS ARE BRONZE.
- 3-KEY IS SHIPPED SEPARATELY. MAXIMUM TORQUE FOR KEY IS 20 IN LBS. USE DELTA KEY ONLY. DELTA STEEL KEY PART# 688S-STD.
- 4-SWITCH STYLE STAMPED ON HOUSING.
- 5-DATE CODE INDICATING YEAR, MONTH, AND DAY OF MONTH MANUFACTURED STAMPED ON HOUSING.
- 6-SWITCH ELECTRICAL FUNCTIONALITY TESTED AFTER ASSEMBLY.
- 7-ELECTRICAL RATING, CONTINUOUS: 20A @ 12-14 VDC. ELECTRICAL LIFE: 5K CYCLES @ 10 AMPS INDUCTIVE. 10K CYCLES @ 5 AMPS INDUCTIVE. 50K CYCLES @ 5 AMPS RESISTIVE.
- 8-THIS PRODUCT COVERED BY U.S. PATENT NO. 5252791 OTHER PATENTS APPLIED FOR
- 9-SWITCH SHOULD NEVER BE MOUNTED IN PANEL WITH THE "B" TERMINAL DIRECTLY ABOVE THE "G" TERMINAL, RELATIVE TO GRAVITY.
- 10-PULL FORCE TO DISLOCATE BACK COVER IS 80 LBS. MINIMUM.
- 11-POSITION 4 IS MOMENTARY.
- 12-ALL OTHER CONTACT COMBINATIONS ARE NOT ALLOWED.

KEYHOLE INSERT IS BLACK ANODIZED ALUMINUM

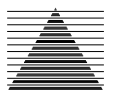


DELTA SYSTEMS, INC. DOES NOT ASSUME ANY LIABILITY ARISING OUT OF THE MISAPPLICATION OF ANY PRODUCT

DRAWN	DATE
DMR	7/20/99
CHECKED	DATE
ML	7/20/99

COMPUTER GENERATED DRAWING - NO MANUAL CHANGES ALLOWED	UNLESS OTHERWISE SPECIFIED DIMENSIONS ARE IN INCHES TOLERANCES ARE: .XX± .02 .XXX± .005 ANG± 1° DO NOT SCALE DRAWING
--	--

MATERIAL	SEE NOTE 2
FINISH	SEE NOTE 2

 DELTA SYSTEMS INC. STREETSBORO, OHIO 44241	
TITLE LAWN & GARDEN IGNITION SWITCH	
SIZE C	DWG. NO. 6901-46
SCALE FULL	PROJECT NO. EX311 REV B