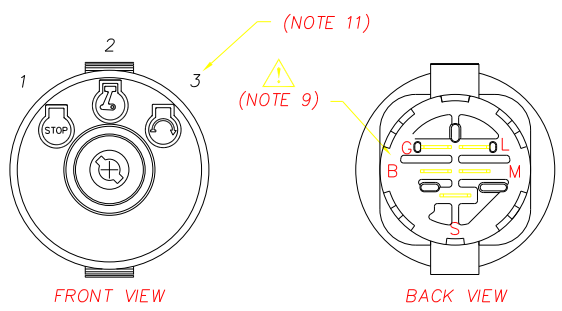
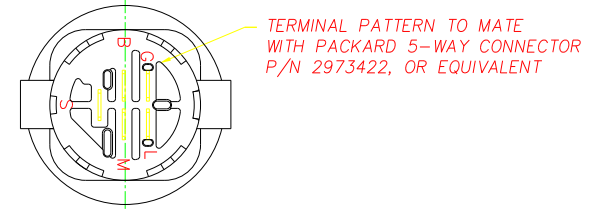
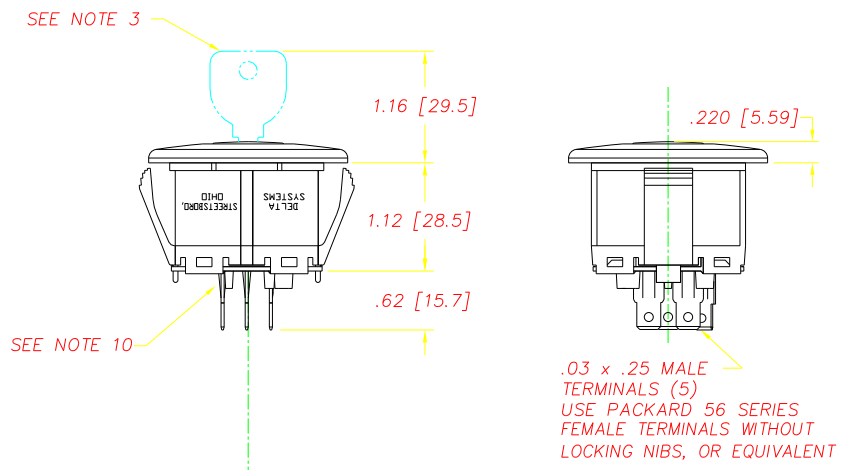
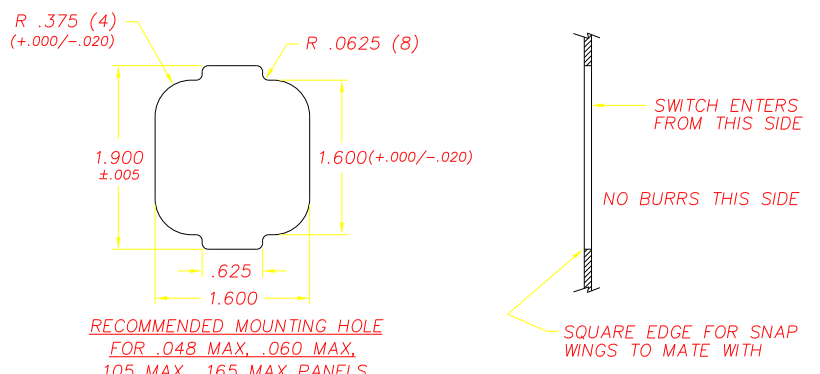
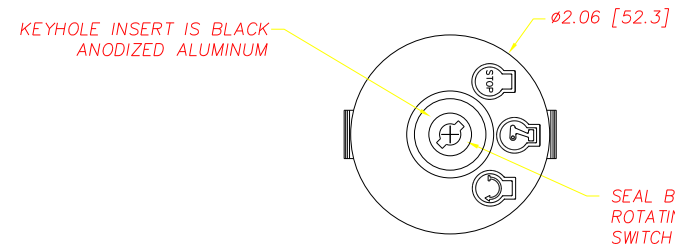


| REVISIONS | | | |
|-----------|----------------------------------|----------|----|
| ~ | INITIAL RELEASE, CR 1294 | 7/20/99 | ML |
| A | DEFINED CRITICAL CHARACTERISTICS | 05/08/00 | JH |
| B | REMOVE CRITICAL DIM., CR 1477 | 06/02/03 | JH |




| POSITION | ROTATION | FUNCTION | CONTACT |
|----------|----------|----------|---------|
| 1 | 0° | OFF | G+M |
| 2 | 45° | RUN | L+B |
| 3 | 85° | START | L+B+S |



NOTES

- 1-DIM.'S IN BRACKET [] ARE IN MILLIMETERS; MILLIMETER TOLERANCES ARE .X± .5, .XX± .15.
- 2-PLASTIC PARTS ARE DELTON™ (BLACK). TERMINALS ARE BRONZE. GRAPHICS ARE PAD PRINTED WHITE.
- 3-KEY IS SHIPPED SEPARATELY. MAXIMUM TORQUE FOR KEY IS 20 IN LBS. USE DELTA KEY ONLY. DELTA STEEL KEY PART# 688S-STD.
- 4-SWITCH STYLE STAMPED ON HOUSING.
- 5-DATE CODE INDICATING YEAR, MONTH, AND DAY OF MONTH MANUFACTURED STAMPED ON HOUSING.
- 6-SWITCH ELECTRICAL FUNCTIONALITY TESTED AFTER ASSEMBLY.
- 7-ELECTRICAL RATING, CONTINUOUS: 20A @ 12-14 VDC.
ELECTRICAL LIFE: 5K CYCLES @ 10 AMPS INDUCTIVE.
10K CYCLES @ 5 AMPS INDUCTIVE.
50K CYCLES @ 5 AMPS RESISTIVE.
- 8-THIS PRODUCT COVERED BY U.S. PATENT NO. 5252791 OTHER PATENTS APPLIED FOR
- 9-SWITCH SHOULD NEVER BE MOUNTED IN PANEL WITH THE "B" TERMINAL DIRECTLY ABOVE THE "G" TERMINAL, RELATIVE TO GRAVITY.
- 10-PULL FORCE TO DISLOCATE BACK COVER IS 80 LBS. MINIMUM.
- 11-POSITION 3 IS MOMENTARY.
- 12-ALL OTHER CONTACT COMBINATIONS ARE NOT ALLOWED.



| | | | | |
|--|--|--|-----------------|---|
| DELTA SYSTEMS, INC. DOES NOT ASSUME ANY LIABILITY ARISING OUT OF THE MISAPPLICATION OF ANY PRODUCT | | DRAWN DMR 7/20/99 | DATE 7/20/99 |  DELTA SYSTEMS INC. STREETSBORO, OHIO 44241 |
| | | CHECKED ML 7/20/99 | DATE 7/20/99 | |
| COMPUTER GENERATED DRAWING - NO MANUAL CHANGES ALLOWED | | UNLESS OTHERWISE SPECIFIED DIMENSIONS ARE IN INCHES TOLERANCES ARE: .XX± .02 .XXX± .005 ANG± 1° DO NOT SCALE DRAWING | | TITLE LAWN&GARDEN IGNITION SWITCH WITH PAD PRINTED GRAPHICS |
| | | FINISH SEE NOTE 2 | SCALE FULL | DWG. NO. 6901-37P PROJECT NO. EX338 REV B |