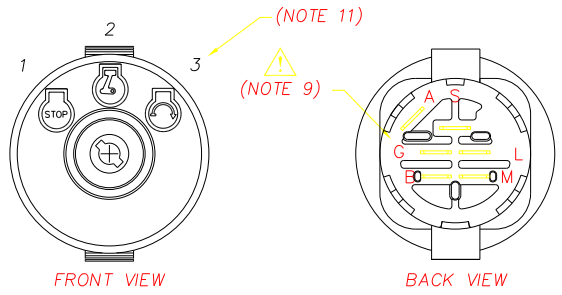
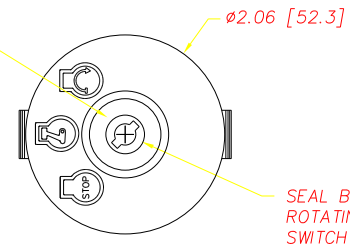


REVISIONS			
~	INITIAL RELEASE, CR 1294	7/20/99	ML
A	DEFINED CRITICAL CHARACTERISTICS	05/08/00	JH
B	REMOVE CRITICAL DIM., CR 1477	06/02/03	JH

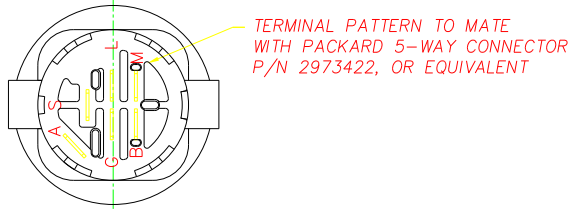
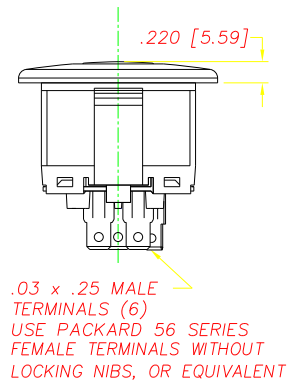
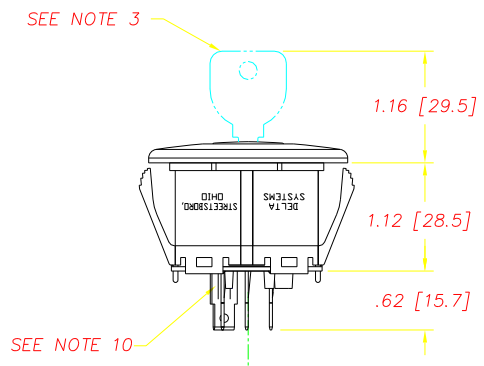
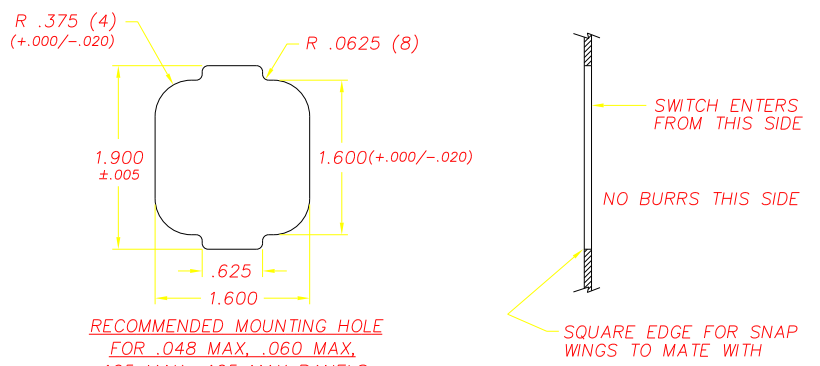


POSITION	ROTATION	FUNCTION	CONTACT
1	0°	OFF	M+G
2	45°	RUN	B+L+A
3	85°	START	B+L+S

KEYHOLE INSERT IS BLACK ANODIZED ALUMINUM



SEAL BETWEEN ROTATING SHAFT AND SWITCH HOUSING



- NOTES**
- DIM.'S IN BRACKET [] ARE IN MILLIMETERS; MILLIMETER TOLERANCES ARE .X± .5, .XX± .15.
 - PLASTIC PARTS ARE DELTON™ (BLACK). TERMINALS ARE BRONZE. GRAPHICS ARE PAD PRINTED WHITE.
 - KEY IS SHIPPED SEPARATELY. MAXIMUM TORQUE FOR KEY IS 20 IN LBS. USE DELTA KEY ONLY. DELTA STEEL KEY PART# 688S-STD.
 - SWITCH STYLE STAMPED ON HOUSING.
 - DATE CODE INDICATING YEAR, MONTH, AND DAY OF MONTH MANUFACTURED STAMPED ON HOUSING.
 - SWITCH ELECTRICAL FUNCTIONALITY TESTED AFTER ASSEMBLY.
 - ELECTRICAL RATING, CONTINUOUS: 20A @ 12-14 VDC. ELECTRICAL LIFE: 5K CYCLES @ 10 AMPS INDUCTIVE. 10K CYCLES @ 5 AMPS INDUCTIVE. 50K CYCLES @ 5 AMPS RESISTIVE.
 - THIS PRODUCT COVERED BY U.S. PATENT NO. 5252791 OTHER PATENTS APPLIED FOR
 - SWITCH SHOULD NEVER BE MOUNTED IN PANEL WITH THE "B" TERMINAL DIRECTLY ABOVE THE "G" TERMINAL, RELATIVE TO GRAVITY.
 - PULL FORCE TO DISLOCATE BACK COVER IS 80 LBS. MINIMUM.
 - POSITION 3 IS MOMENTARY.
 - ALL OTHER CONTACT COMBINATIONS ARE NOT ALLOWED.

DELTA SYSTEMS, INC. DOES NOT ASSUME ANY LIABILITY ARISING OUT OF THE MISAPPLICATION OF ANY PRODUCT

DRAWN	DATE
DMR	7/20/99
CHECKED	DATE
ML	7/20/99
MATERIAL	
SEE NOTE 2	
FINISH	
SEE NOTE 2	

DELTA SYSTEMS INC.
STREETSBORO, OHIO 44241

TITLE: LAWN & GARDEN IGNITION SWITCH WITH PAD PRINTED GRAPHICS

SIZE: C DWG. NO: 6901-36P

SCALE: FULL PROJECT NO: EX338 REV: B

COMPUTER GENERATED DRAWING - NO MANUAL CHANGES ALLOWED

UNLESS OTHERWISE SPECIFIED DIMENSIONS ARE IN INCHES TOLERANCES ARE: .XX± .02 .XXX± .005 ANG± 1°

DO NOT SCALE DRAWING