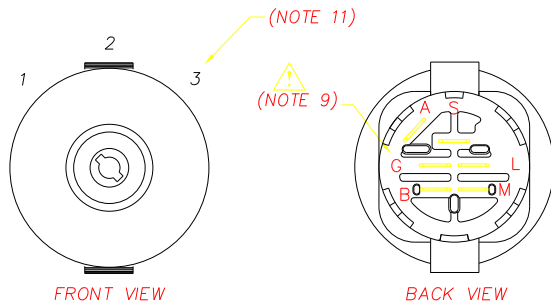
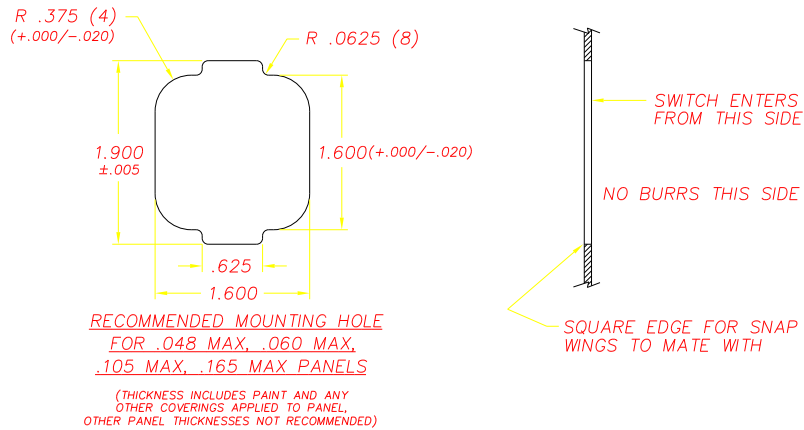


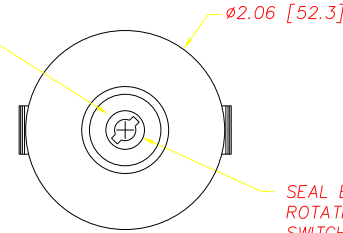
REVISIONS			
~	INITIAL RELEASE, CR1294	7/20/99	ML
A	DEFINED CRITICAL CHARACTERISTICS	05/08/00	JH
B	REMOVE CRITICAL DIM, CR 1477	06/02/03	JH



POSITION	ROTATION	FUNCTION	CONTACT
1	0°	OFF	M+G
2	45°	RUN	B+L+A
3	85°	START	B+L+S

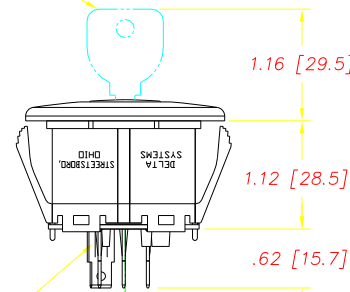


KEYHOLE INSERT IS BLACK ANODIZED ALUMINUM

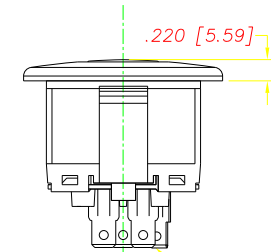


SEAL BETWEEN ROTATING SHAFT AND SWITCH HOUSING

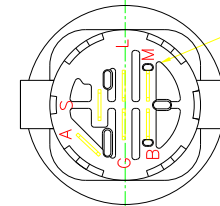
SEE NOTE 3



SEE NOTE 10



.03 x .25 MALE TERMINALS (6)  
USE PACKARD 56 SERIES FEMALE TERMINALS WITHOUT LOCKING NIBS, OR EQUIVALENT



TERMINAL PATTERN TO MATE WITH PACKARD 5-WAY CONNECTOR P/N 2973422, OR EQUIVALENT

### NOTES

- 1-DIM.'S IN BRACKET [ ] ARE IN MILLIMETERS; MILLIMETER TOLERANCES ARE .X± .5, .XX± .15.
- 2-PLASTIC PARTS ARE DELTON™ (BLACK). TERMINALS ARE BRONZE.
- 3-KEY IS SHIPPED SEPARATELY. MAXIMUM TORQUE FOR KEY IS 20 IN LBS. USE DELTA KEY ONLY. DELTA STEEL KEY PART# 688S-STD.
- 4-SWITCH STYLE STAMPED ON HOUSING.
- 5-DATE CODE INDICATING YEAR, MONTH, AND DAY OF MONTH MANUFACTURED STAMPED ON HOUSING.
- 6-SWITCH ELECTRICAL FUNCTIONALITY TESTED AFTER ASSEMBLY.
- 7-ELECTRICAL RATING, CONTINUOUS: 20A @ 12-14 VDC.  
ELECTRICAL LIFE: 5K CYCLES @ 10 AMPS INDUCTIVE.  
10K CYCLES @ 5 AMPS INDUCTIVE.  
50K CYCLES @ 5 AMPS RESISTIVE.
- 8-THIS PRODUCT COVERED BY U.S. PATENT NO. 5252791 OTHER PATENTS APPLIED FOR
- 9-SWITCH SHOULD NEVER BE MOUNTED IN PANEL WITH THE "B" TERMINAL DIRECTLY ABOVE THE "G" TERMINAL, RELATIVE TO GRAVITY.
- 10-PULL FORCE TO DISLOCATE BACK COVER IS 80 LBS. MINIMUM.
- 11-POSITION 3 IS MOMENTARY.
- 12-ALL OTHER CONTACT COMBINATIONS ARE NOT ALLOWED.



DELTA SYSTEMS, INC. DOES NOT ASSUME ANY LIABILITY ARISING OUT OF THE MISAPPLICATION OF ANY PRODUCT

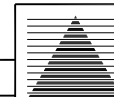
DRAWN DATE  
DMR 7/20/99  
CHECKED DATE  
ML 7/20/99

MATERIAL  
SEE NOTE 2

FINISH  
SEE NOTE 2

COMPUTER GENERATED  
DRAWING - NO MANUAL  
CHANGES ALLOWED

UNLESS OTHERWISE SPECIFIED  
DIMENSIONS ARE IN INCHES  
TOLERANCES ARE:  
.XX± .02 .XXX± .005 ANG± 1°  
DO NOT SCALE DRAWING



**DELTA**  
SYSTEMS INC.  
STREETSBORO, OHIO 44241

TITLE  
LAWN & GARDEN  
IGNITION SWITCH

SIZE  
C

DWG. NO.  
6901-36

SCALE  
FULL

PROJECT NO.  
EX311

REV  
B