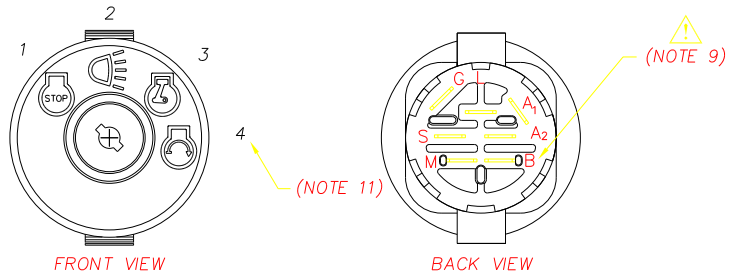
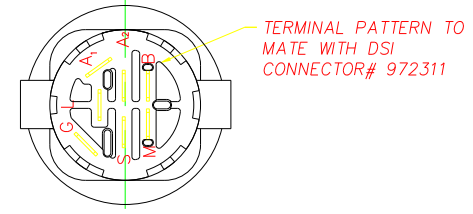
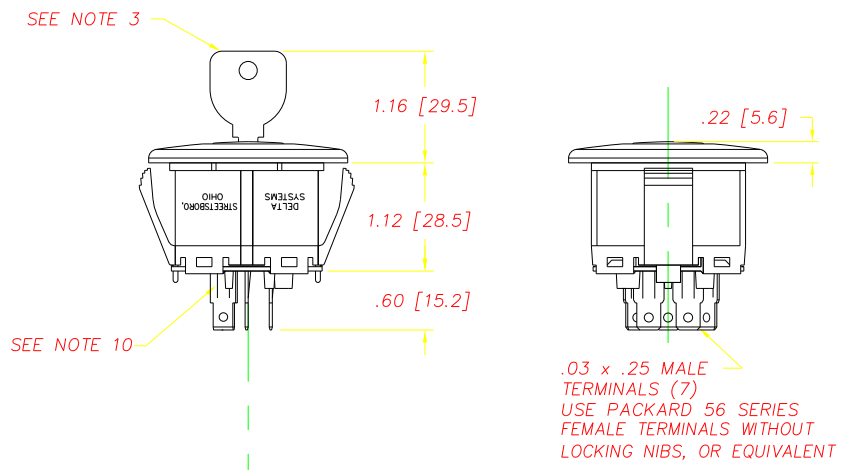
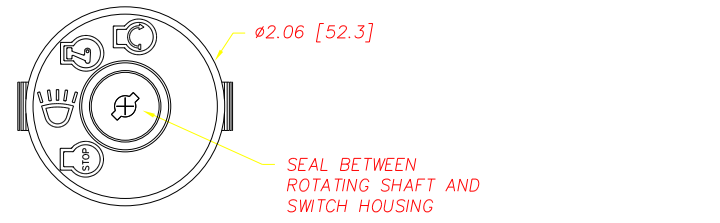
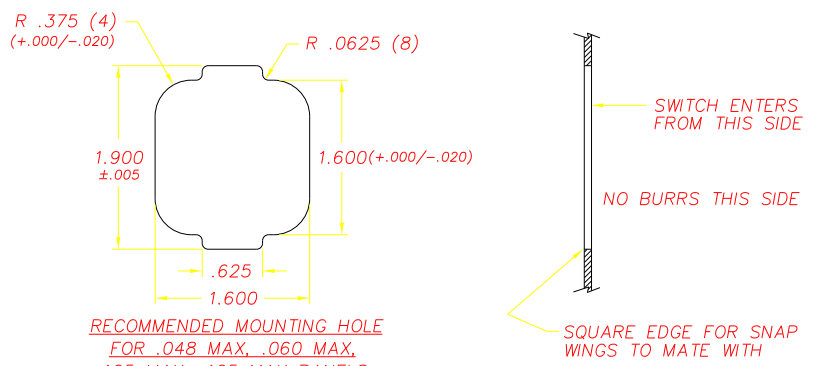


REVISIONS				
B	REM'D CORE IN BACKCOVER, CR 1306	06/04/99	JH	
C	UPDATE NOTE, MATERIAL IS BRONZE	7/12/99	ML	
D	UPDATED GRAPHICS, CR1294	7/20/99	ML	
E	DEFINED CRITICAL CHARACTERISTICS	05/08/00	JH	
F	BACK COVER COLOR CHANGE, CR1384	09/11/00	JH	
G	DIM .60 [15.2] & .22 [5.6], CN0553	09/05/02	JG	
H	REMOVE CRITICAL DIM., CR 1477	06/02/03	JH	




POSITION	ROTATION	FUNCTION	CONTACT 1	CONTACT 2
1	0°	OFF	M+G+A <sub>1</sub>	~
2	45°	RUN1	B+A <sub>1</sub>	L+A <sub>2</sub>
3	95°	RUN2	B+A <sub>1</sub>	~
4	135°	START	B+S+A <sub>1</sub>	~



**NOTES**

- 1-DIM.'S IN BRACKET [ ] ARE IN MILLIMETERS; MILLIMETER TOLERANCES ARE .X± .5, .XX± .15.
- 2-PLASTIC PARTS ARE DELTON™ (BLACK HOUSING, GRAY BACK COVER). TERMINALS ARE BRONZE. GRAPHICS ARE PAD PRINTED WHITE.
- 3-KEY IS SHIPPED SEPARATELY. MAXIMUM TORQUE FOR KEY IS 20 IN LBS. USE DELTA KEY ONLY. DELTA STEEL KEY PART# 688S-STD.
- 4-SWITCH STYLE STAMPED ON HOUSING.
- 5-DATE CODE INDICATING YEAR, MONTH, AND DAY OF MONTH MANUFACTURED STAMPED ON HOUSING.
- 6-SWITCH ELECTRICAL FUNCTIONALITY TESTED AFTER ASSEMBLY.
- 7-ELECTRICAL RATING, CONTINUOUS: 20A @ 12-14 VDC. ELECTRICAL LIFE: 5K CYCLES @ 10 AMPS INDUCTIVE. 10K CYCLES @ 5 AMPS INDUCTIVE. 50K CYCLES @ 5 AMPS RESISTIVE.
- 8-THIS PRODUCT COVERED BY U.S. PATENT NO. 5252791 OTHER PATENTS APPLIED FOR
- 9-SWITCH SHOULD NEVER BE MOUNTED IN PANEL WITH THE "B" TERMINAL DIRECTLY ABOVE THE "G" TERMINAL, RELATIVE TO GRAVITY.
- 10-PULL FORCE TO DISLOCATE BACK COVER IS 80 LBS. MINIMUM.
- 11-POSITION 4 IS MOMENTARY.
- 12-ALL OTHER CONTACT COMBINATIONS ARE NOT ALLOWED.

DELTA SYSTEMS, INC. DOES NOT ASSUME ANY LIABILITY ARISING OUT OF THE MISAPPLICATION OF ANY PRODUCT		DRAWN <b>LMM</b>	DATE <b>09/02/98</b>	 <b>DELTA SYSTEMS INC.</b> STREETSBORO, OHIO 44241
		CHECKED <b>JH</b>	DATE <b>09/02/98</b>	
COMPUTER GENERATED DRAWING - NO MANUAL CHANGES ALLOWED		MATERIAL SEE NOTE 2		TITLE <b>LAWN&amp;GARDEN IGNITION SWITCH WITH PAD PRINTED GRAPHICS</b>
		FINISH SEE NOTE 2		SCALE <b>FULL</b>
UNLESS OTHERWISE SPECIFIED DIMENSIONS ARE IN INCHES TOLERANCES ARE: .XX± .02 .XXX± .005 ANG± 1° DO NOT SCALE DRAWING		SIZE <b>C</b>	DWG. NO. <b>6900-47P</b>	PROJECT NO. <b>EX338</b>
				REV <b>H</b>