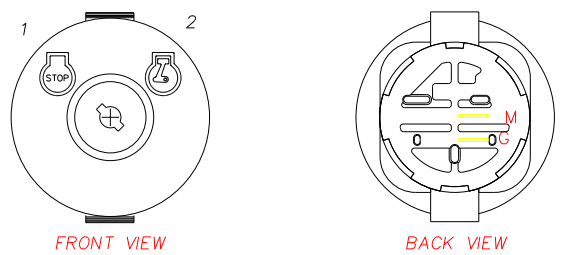
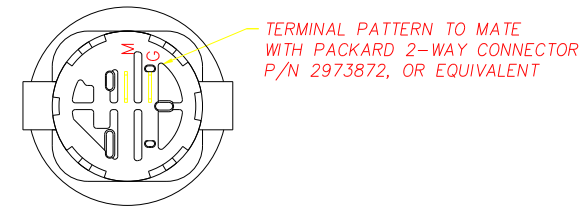
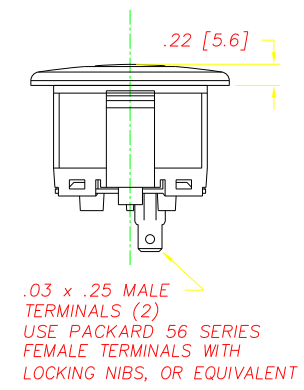
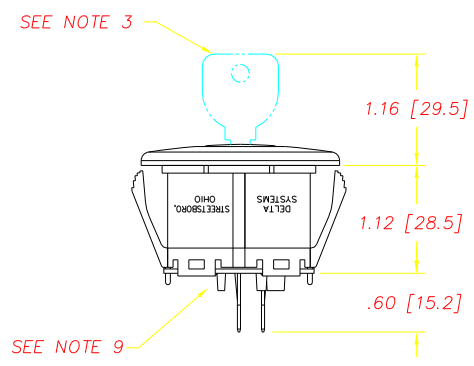
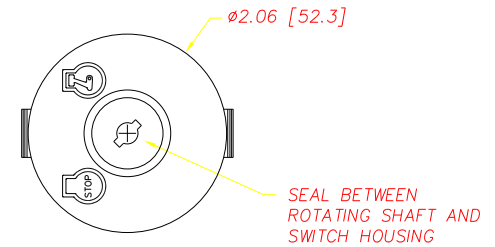
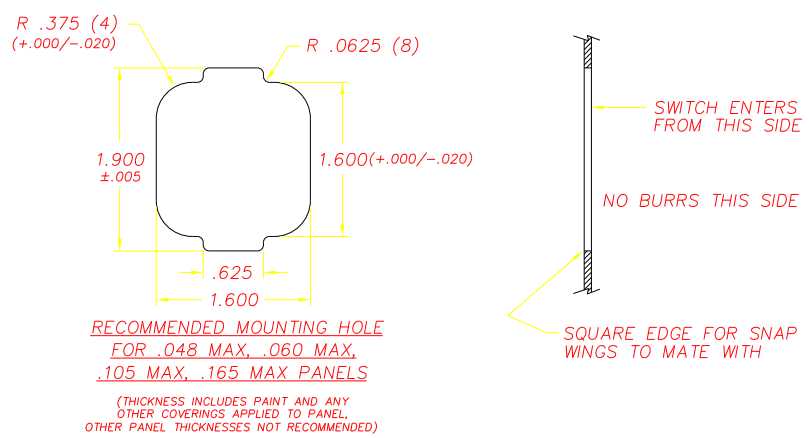


REVISIONS			
~	INITIAL RELEASE, CR 1435	06/12/01	JH
A	DIM .60 [15.2] & .22 [5.6], CNO553	09/05/02	JG
B	REMOVE CRITICAL DIM., CR 1477	06/02/03	JH



POSITION	ROTATION	FUNCTION	CONTACT
1	0°	OFF	G+M
2	90°	ON	OPEN



NOTES

- 1-DIM.'S IN BRACKET [] ARE IN MILLIMETERS; MILLIMETER TOLERANCES ARE .X± .5, .XX± .15.
- 2-PLASTIC PARTS ARE DELTON™ (BLACK). TERMINALS ARE BRONZE. GRAPHICS ARE PAD PRINTED WHITE.
- 3-KEY IS SHIPPED SEPARATELY. MAXIMUM TORQUE FOR KEY IS 20 IN LBS. USE DELTA KEY ONLY. DELTA STEEL KEY PART# 688S-STD.
- 4-SWITCH STYLE STAMPED ON HOUSING.
- 5-DATE CODE INDICATING YEAR, MONTH, AND DAY OF MONTH MANUFACTURED STAMPED ON HOUSING.
- 6-SWITCH ELECTRICAL FUNCTIONALITY TESTED AFTER ASSEMBLY.
- 7-ELECTRICAL RATING, CONTINUOUS: 20A @ 12-14 VDC. ELECTRICAL LIFE: 5K CYCLES @ 10 AMPS INDUCTIVE. 10K CYCLES @ 5 AMPS INDUCTIVE. 50K CYCLES @ 5 AMPS RESISTIVE.
- 8-THIS PRODUCT COVERED BY U.S. PATENT NO. 5252791 OTHER PATENTS APPLIED FOR
- 9-PULL FORCE TO DISLOCATE BACK COVER IS 80 LBS. MINIMUM.

DELTA SYSTEMS, INC. DOES NOT ASSUME ANY LIABILITY ARISING OUT OF THE MISAPPLICATION OF ANY PRODUCT

COMPUTER GENERATED DRAWING - NO MANUAL CHANGES ALLOWED

UNLESS OTHERWISE SPECIFIED DIMENSIONS ARE IN INCHES TOLERANCES ARE: .XX± .02 .XXX± .005 ANG± 1° DO NOT SCALE DRAWING

DRAWN	DATE
LMM	06/12/01
CHECKED	DATE
JH	06/12/01
MATERIAL	
SEE NOTE 2	
FINISH	
SEE NOTE 2	

DELTA SYSTEMS INC.
STREETSBORO, OHIO 44241

TITLE: LAWN & GARDEN IGNITION SWITCH WITH PAD PRINTED GRAPHICS

SIZE: C DWG. NO. 6900-21P

SCALE: FULL PROJECT NO. EX338 REV B