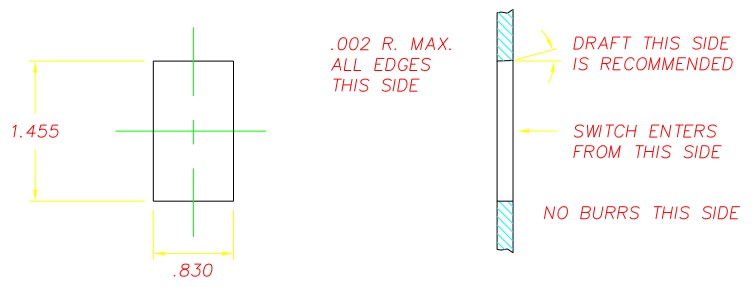
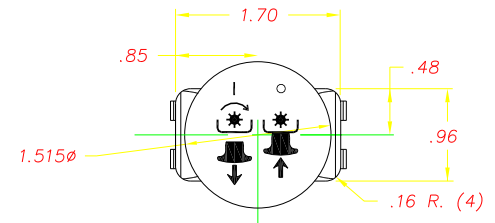


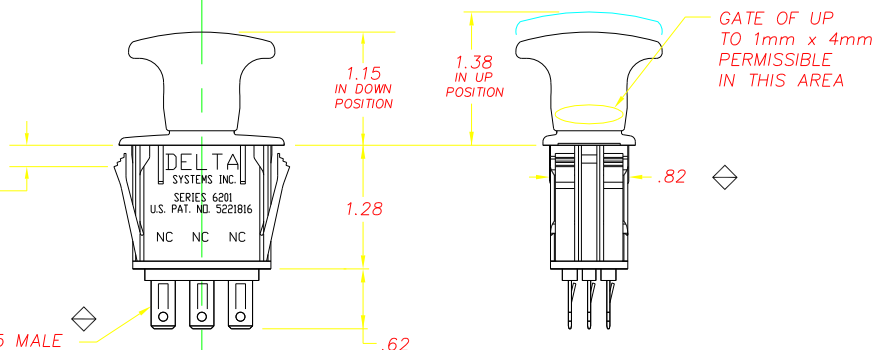
REVISIONS			
~	NEW PTO SERIES, CR 1498	09/17/02	JH
A	INCREASE OPERATING FORCE CR 1467	09/19/03	JM



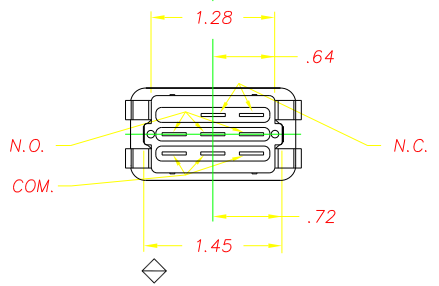
RECOMMENDED MOUNTING HOLE



◇ SNAP WINGS TO ACCOMMODATE SPECIFIC PANEL THICKNESSES OF:
 .055 MAX. (WITH #972301 RETAINER RING)
 .085 MAX. (WITH #972301 RETAINER RING)
 .105 MAX.
 .135 MAX.
 .165 MAX. (NOTE 9)



◇ .03 x .25 MALE TERMINALS (8) USE DSI CONNECTOR P/N 972306



NOTES:

- 1-MAT'L: PLASTIC PARTS ARE DELTON™. TERMINALS ARE NICKEL OR TIN PLATED BRASS.
- 2-SWITCH MUST RESIST 40# FORCE WITHOUT PULLING OUT OF PANEL OR DAMAGING SWITCH.
- 3-BEZEL SURFACE TEXTURED TO MOLD TECH TEXTURE STANDARD MT1055-5.
- 4-ON (UP) FORCE IS 11.00± 3.50 LBS. ◇
- 5-OFF (DOWN) FORCE IS 8.50 ± 2.00 LBS. ◇
- 6-OPERATING FORCES MEASURED AFTER 10 (TEN) CYCLES.
- 7-DATE CODE INDICATING YEAR, MONTH, & DAY OF MONTH MANUFACTURED STAMPED ON HOUSING.
- 8-SWITCH FUNCTIONALITY TESTED AFTER ASSEMBLY. ◇
- 9-THICKNESS INCLUDES PAINT AND/OR ANY OTHER LAYERS APPLIED BETWEEN SWITCH AND PANEL.
- 10-SWITCH BODY IS BLACK; KNOB IS YELLOW; GRAPHICS ARE PAD PRINTED BLACK.
- 11-THIS PRODUCT IS COVERED BY THE FOLLOWING U.S. PATENT: 5,221,816.

DELTA SYSTEMS, INC. DOES NOT ASSUME ANY LIABILITY ARISING OUT OF THE MISAPPLICATION OF ANY PRODUCT

DRAWN	DATE
MEL	09/05/02
CHECKED	DATE
MA	09/13/02

MATERIAL	SEE NOTE 1
FINISH	AS NOTED

DELTA
SYSTEMS INC.
STREETSBORO, OHIO 44241

TITLE		P.T.O. SWITCH	
SIZE	C	DWG. NO.	6201-341
SCALE	FULL	PROJECT NO.	EX315
		REV	A

COMPUTER GENERATED DRAWING - NO MANUAL CHANGES ALLOWED	UNLESS OTHERWISE SPECIFIED TOLERANCES ARE: .XX# .02 .XXX# .005 ANG# 1°
	DO NOT SCALE DRAWING