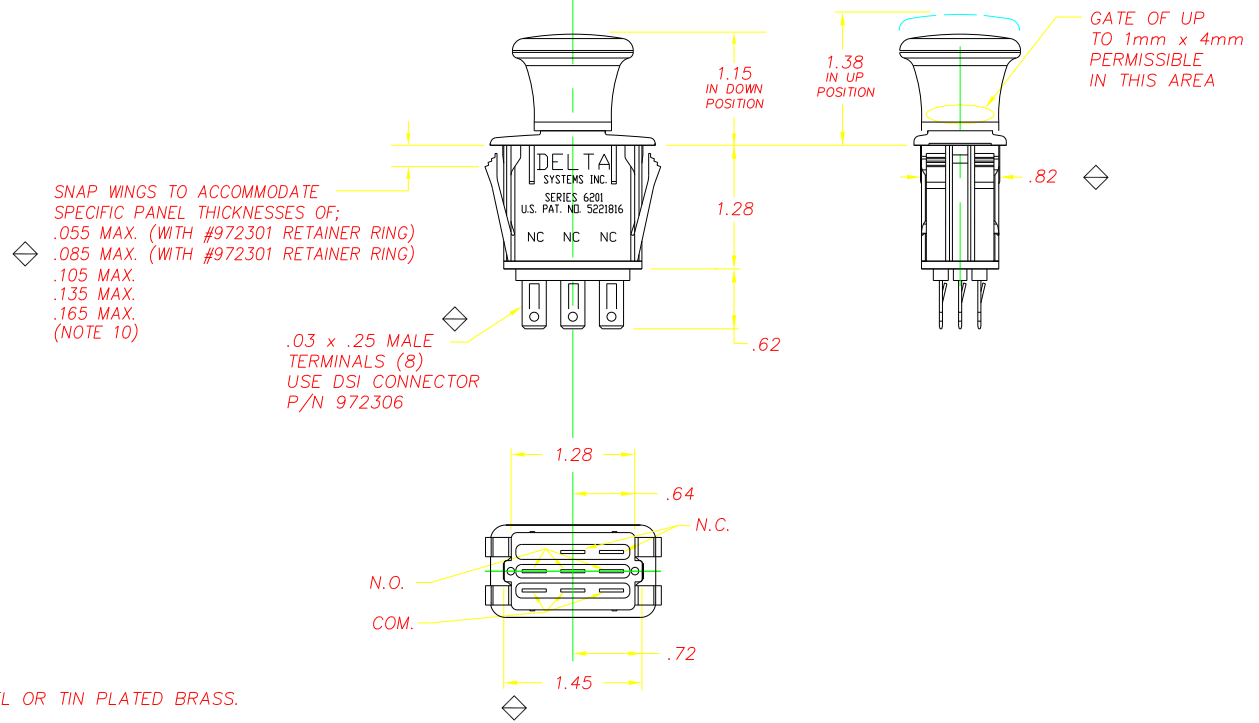
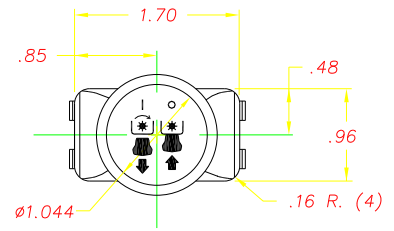
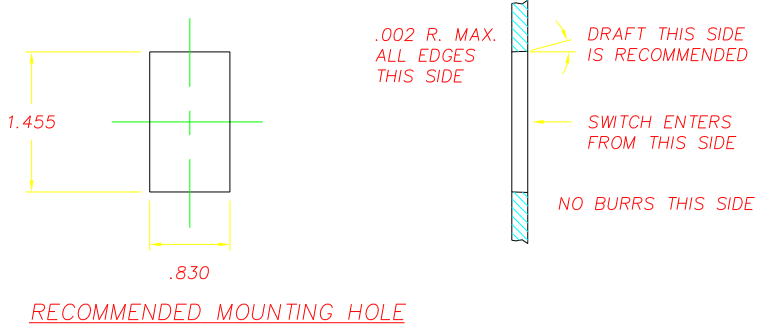



| REVISIONS | | | |
|-----------|----------------------------------|----------|----|
| ~ | NEW PTO SERIES, CR 1106 | 07/09/98 | JH |
| A | REVISED GRAPHICS, CR 1312 | 07/26/99 | JH |
| B | INCREASE OPERATING FORCE CR 1467 | 09/19/03 | JM |



NOTES:

- 1-MAT'L: PLASTIC PARTS ARE DELTON™ (BLACK); TERMINALS ARE NICKEL OR TIN PLATED BRASS.
- 2-KNOB IS BLACK, GRAPHICS ARE PAD PRINTED WHITE.
- 3-SWITCH MUST RESIST 40# FORCE WITHOUT PULLING OUT OF PANEL OR DAMAGING SWITCH.
- 4-BEZEL SURFACE TEXTURED TO MOLD TECH TEXTURE STANDARD MT1055-5.
- 5-ON (UP) FORCE IS 11.00± 3.50 LBS. ◇
- 6-OFF (DOWN) FORCE IS 8.50 ± 2.00 LBS. ◇
- 7-OPERATING FORCES MEASURED AFTER 10 (TEN) CYCLES.
- 8-DATE CODE INDICATING YEAR, MONTH, & DAY OF MONTH MANUFACTURED STAMPED ON HOUSING.
- 9-SWITCH FUNCTIONALITY TESTED AFTER ASSEMBLY. ◇
- 10-THICKNESS INCLUDES PAINT AND/OR ANY OTHER LAYERS APPLIED BETWEEN SWITCH & PANEL.
- 11-THIS PRODUCT IS COVERED BY THE FOLLOWING U.S. PATENT: 5,221,816.

| | | | |
|--|---|---|---|
| DELTA SYSTEMS, INC. DOES NOT ASSUME ANY LIABILITY ARISING OUT OF THE MISAPPLICATION OF ANY PRODUCT | | DRAWN LMM DATE 09/29/98 CHECKED JH DATE 09/29/98 |  DELTA SYSTEMS INC. STREETSBORO, OHIO 44241 |
| COMPUTER GENERATED DRAWING - NO MANUAL CHANGES ALLOWED | UNLESS OTHERWISE SPECIFIED TOLERANCES ARE: .XX# .02 .XXX# .005 ANG# 1° DO NOT SCALE DRAWING | MATERIAL SEE NOTE 1 FINISH AS NOTED | TITLE P.T.O. SWITCH SIZE C DWG. NO. 6201-331 SCALE FULL PROJECT NO. EX315 REV B |