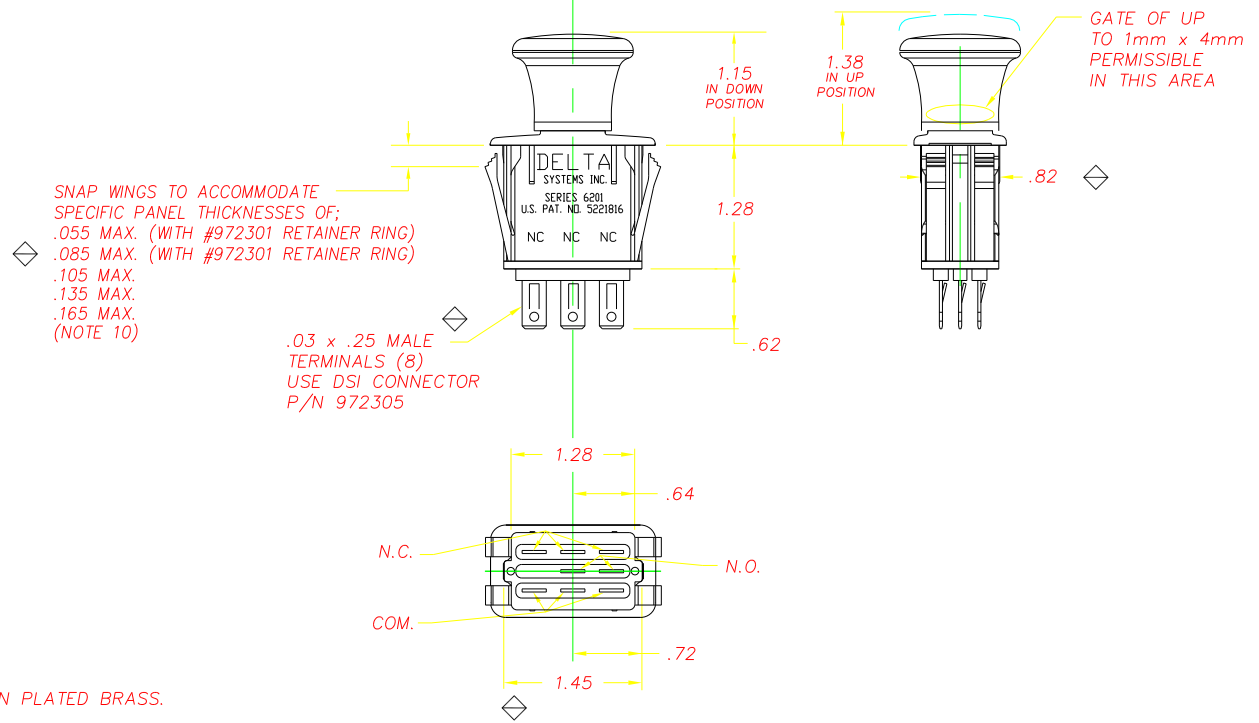
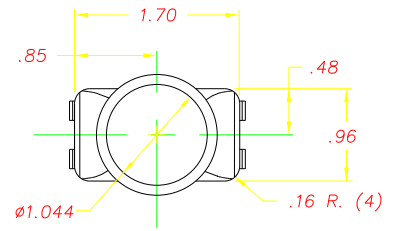
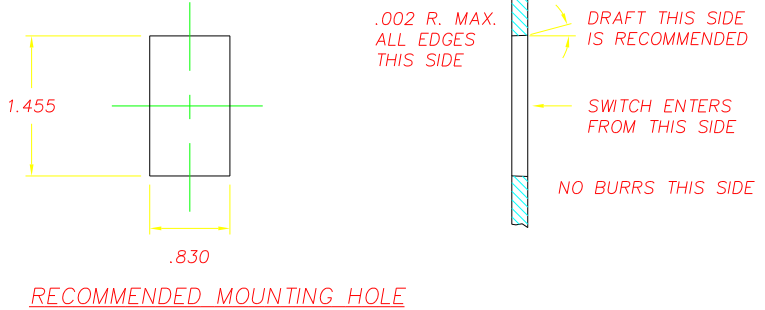



REVISIONS			
~	NEW PTO SERIES, CR 1106	07/09/98	JH
A	INCREASE OPERATING FORCE CR 1467	09/19/03	JM



**NOTES:**

- 1-MAT'L: PLASTIC PARTS ARE DELTON™; TERMINALS ARE NICKEL OR TIN PLATED BRASS.
- 2-SWITCH BODY IS BLACK, KNOB IS YELLOW.
- 3-SWITCH MUST RESIST 40# FORCE WITHOUT PULLING OUT OF PANEL OR DAMAGING SWITCH.
- 4-BEZEL SURFACE TEXTURED TO MOLD TECH TEXTURE STANDARD MT1055-5.
- 5-ON (UP) FORCE IS 11.00± 3.50 LBS.
- 6-OFF (DOWN) FORCE IS 8.50 ± 2.00 LBS.
- 7-OPERATING FORCES MEASURED AFTER 10 (TEN) CYCLES.
- 8-DATE CODE INDICATING YEAR, MONTH,& DAY OF MONTH MANUFACTURED STAMPED ON HOUSING.
- 9-SWITCH FUNCTIONALITY TESTED AFTER ASSEMBLY.
- 10-THICKNESS INCLUDES PAINT AND/OR ANY OTHER LAYERS APPLIED BETWEEN SWITCH & PANEL.
- 11-THIS PRODUCT IS COVERED BY THE FOLLOWING U.S. PATENT: 5,221,816.

DELTA SYSTEMS, INC. DOES NOT ASSUME ANY LIABILITY ARISING OUT OF THE MISAPPLICATION OF ANY PRODUCT		 <p><b>DELTA</b> SYSTEMS INC. STREETSBORO, OHIO 44241</p>	<p>TITLE: P.T.O. SWITCH</p>	
<p>COMPUTER GENERATED DRAWING - NO MANUAL CHANGES ALLOWED</p>	<p>UNLESS OTHERWISE SPECIFIED TOLERANCES ARE:  .XX# .02 .XXX# .005 ANG# 1°  DO NOT SCALE DRAWING</p>	<p>DRAWN: LMM DATE: 09/29/98</p> <p>CHECKED: JH DATE: 09/29/98</p> <p>MATERIAL: SEE NOTE 1</p> <p>FINISH: AS NOTED</p>	<p>SIZE: C</p> <p>SCALE: FULL</p>	<p>DWG. NO: 6201-325</p> <p>PROJECT NO: EX315</p> <p>REV: A</p>