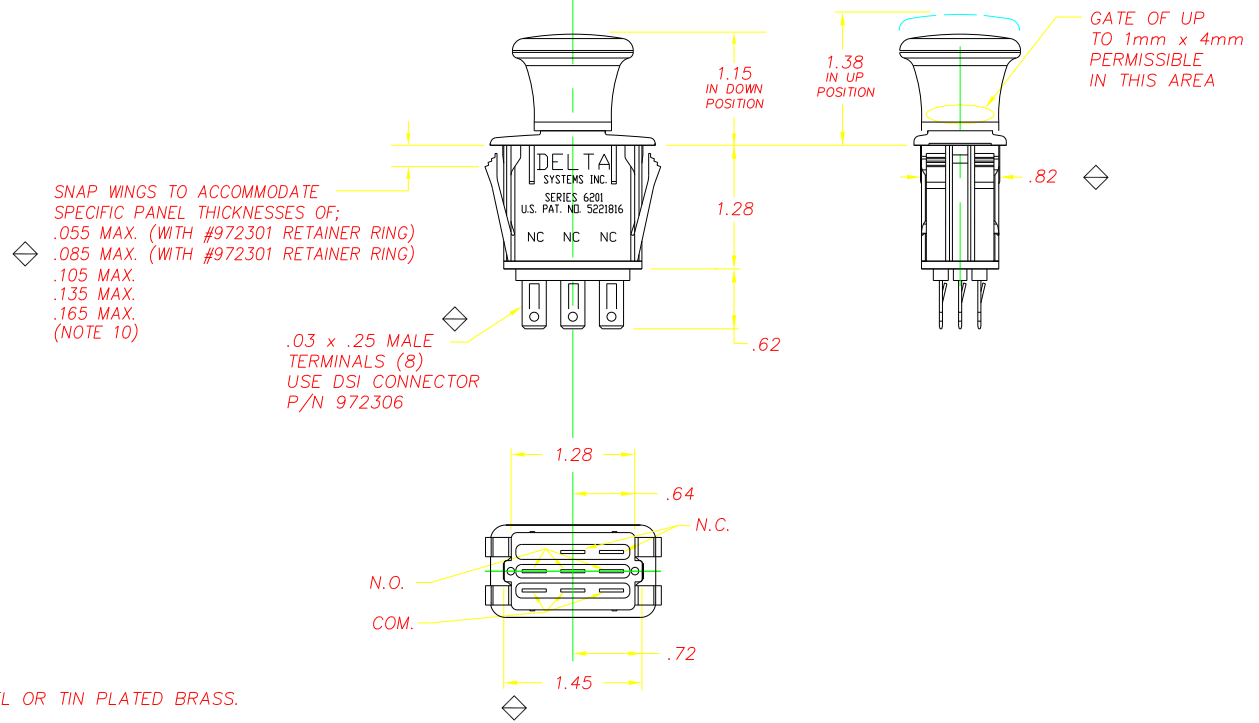
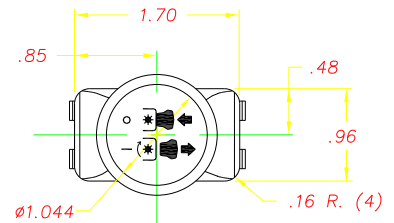
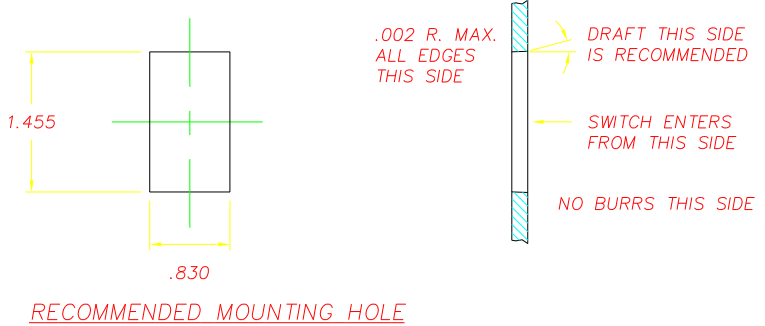


REVISIONS			
~	NEW PTO SERIES, CR 1106	07/09/98	JH
A	REVISED GRAPHICS, CR 1312	07/26/99	JH
B	INCREASE OPERATING FORCE CR 1467	09/19/03	JM



NOTES:

- 1-MAT'L: PLASTIC PARTS ARE DELTON™ (BLACK); TERMINALS ARE NICKEL OR TIN PLATED BRASS.
- 2-KNOB IS RED, GRAPHICS ARE PAD PRINTED WHITE.
- 3-SWITCH MUST RESIST 40# FORCE WITHOUT PULLING OUT OF PANEL OR DAMAGING SWITCH.
- 4-BEZEL SURFACE TEXTURED TO MOLD TECH TEXTURE STANDARD MT1055-5.
- 5-ON (UP) FORCE IS 11.00± 3.50 LBS.
- 6-OFF (DOWN) FORCE IS 8.50 ± 2.00 LBS.
- 7-OPERATING FORCES MEASURED AFTER 10 (TEN) CYCLES.
- 8-DATE CODE INDICATING YEAR, MONTH,& DAY OF MONTH MANUFACTURED STAMPED ON HOUSING.
- 9-SWITCH FUNCTIONALITY TESTED AFTER ASSEMBLY.
- 10-THICKNESS INCLUDES PAINT AND/OR ANY OTHER LAYERS APPLIED BETWEEN SWITCH & PANEL.
- 11-THIS PRODUCT IS COVERED BY THE FOLLOWING U.S. PATENT: 5,221,816.

DELTA SYSTEMS, INC. DOES NOT ASSUME ANY LIABILITY ARISING OUT OF THE MISAPPLICATION OF ANY PRODUCT

DRAWN	DATE
LMM	09/29/98
CHECKED	DATE
JH	09/29/98

DELTA
SYSTEMS INC.
STREETSBORO, OHIO 44241

COMPUTER GENERATED DRAWING - NO MANUAL CHANGES ALLOWED

UNLESS OTHERWISE SPECIFIED TOLERANCES ARE:
 .XX± .02 .XXX± .005 ANG± 1°
 DO NOT SCALE DRAWING

MATERIAL	SEE NOTE 1
FINISH	AS NOTED

TITLE	P.T.O. SWITCH		
SIZE	C	DWG. NO.	6201-321
SCALE	FULL	PROJECT NO.	EX315
		REV	B