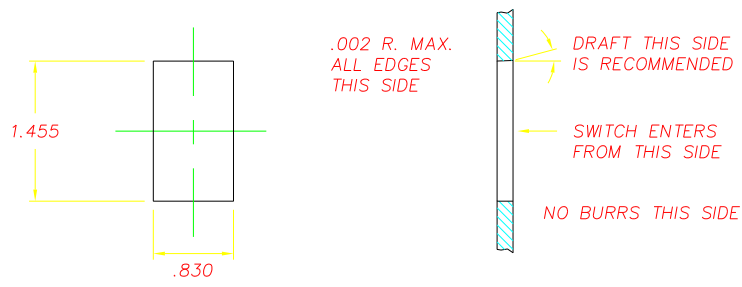
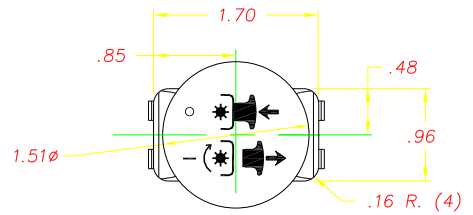


REVISIONS			
~	INITIAL RELEASE, CR 1114	02/26/98	JH
A	REVISED GRAPHICS, CR 1312	07/26/99	JH
B	REVISED DIMENSION LOCATION	07/27/00	JH
C	INCREASE OPERATING FORCE CR 1467	09/19/03	JM

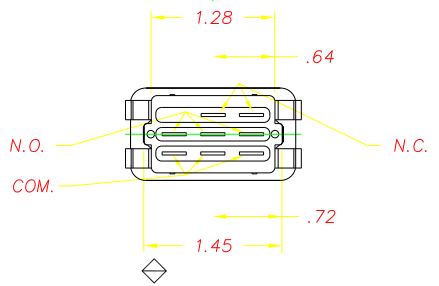
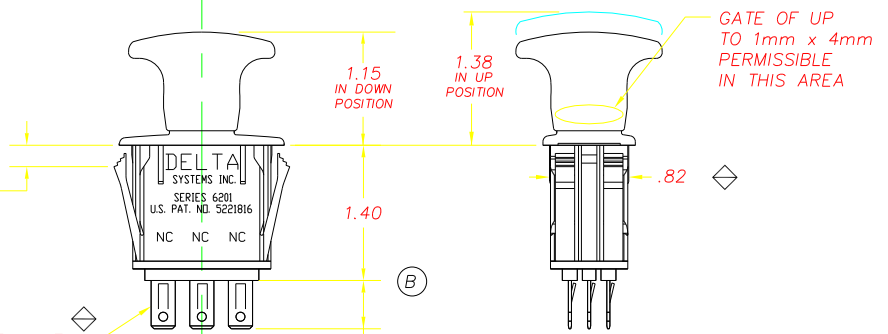


RECOMMENDED MOUNTING HOLE



◇ SNAP WINGS TO ACCOMMODATE SPECIFIC PANEL THICKNESSES OF:  
 .055 MAX. (WITH #972301 RETAINER RING)  
 .085 MAX. (WITH #972301 RETAINER RING)  
 .105 MAX.  
 .135 MAX.  
 .165 MAX. (NOTE 9)

◇ .03 x .25 MALE TERMINALS (8) USE DSI CONNECTOR P/N 972306



**NOTES:**

- 1-MAT'L: PLASTIC PARTS ARE DELTON™. TERMINALS ARE NICKEL OR TIN PLATED BRASS.
- 2-SWITCH MUST RESIST 40# FORCE WITHOUT PULLING OUT OF PANEL OR DAMAGING SWITCH.
- 3-BEZEL SURFACE TEXTURED TO MOLD TECH TEXTURE STANDARD MT1055-5.
- 4-ON (UP) FORCE IS 11.00± 3.50 LBS. ◇
- 5-OFF (DOWN) FORCE IS 8.50 ± 2.00 LBS. ◇
- 6-OPERATING FORCES MEASURED AFTER 10 (TEN) CYCLES.
- 7-DATE CODE INDICATING YEAR, MONTH, & DAY OF MONTH MANUFACTURED STAMPED ON HOUSING.
- 8-SWITCH FUNCTIONALITY TESTED AFTER ASSEMBLY. ◇
- 9-THICKNESS INCLUDES PAINT AND/OR ANY OTHER LAYERS APPLIED BETWEEN SWITCH AND PANEL.
- 10-SWITCH BODY IS BLACK; KNOB IS RED; GRAPHICS ARE PAD PRINTED WHITE.
- 11-THIS PRODUCT IS COVERED BY THE FOLLOWING U.S. PATENT: 5,221,816.

DELTA SYSTEMS, INC. DOES NOT ASSUME ANY LIABILITY ARISING OUT OF THE MISAPPLICATION OF ANY PRODUCT

COMPUTER GENERATED DRAWING - NO MANUAL CHANGES ALLOWED  
 UNLESS OTHERWISE SPECIFIED DIMENSIONS ARE IN INCHES TOLERANCES ARE:  
 .XX# .02 .XXX# .005 ANG# 1°  
 DO NOT SCALE DRAWING

DRAWN LMM DATE 07/06/98  
 CHECKED JH DATE 07/09/98  
 MATERIAL SEE NOTE 1  
 FINISH AS NOTED

 DELTA SYSTEMS INC. STREETSBORO, OHIO 44241		TITLE P.T.O. SWITCH	
		SIZE C	DWG. NO. 6201-316
SCALE FULL		PROJECT NO. EX315	REV C