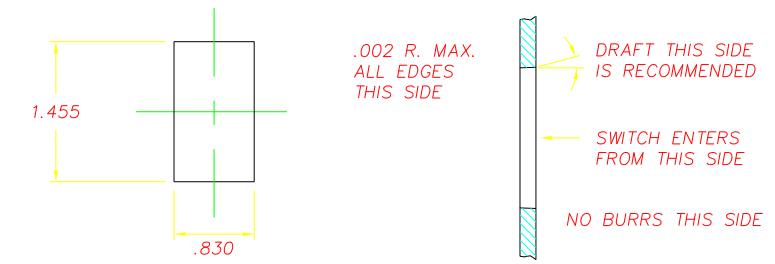
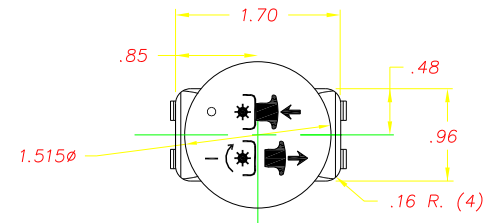


REVISIONS			
~	NEW PTO SERIES, CR 1106	07/09/98	JH
A	REVISED GRAPHICS, CR 1312	07/26/99	JH
B	INCREASE OPERATING FORCE CR 1467	09/19/03	JM

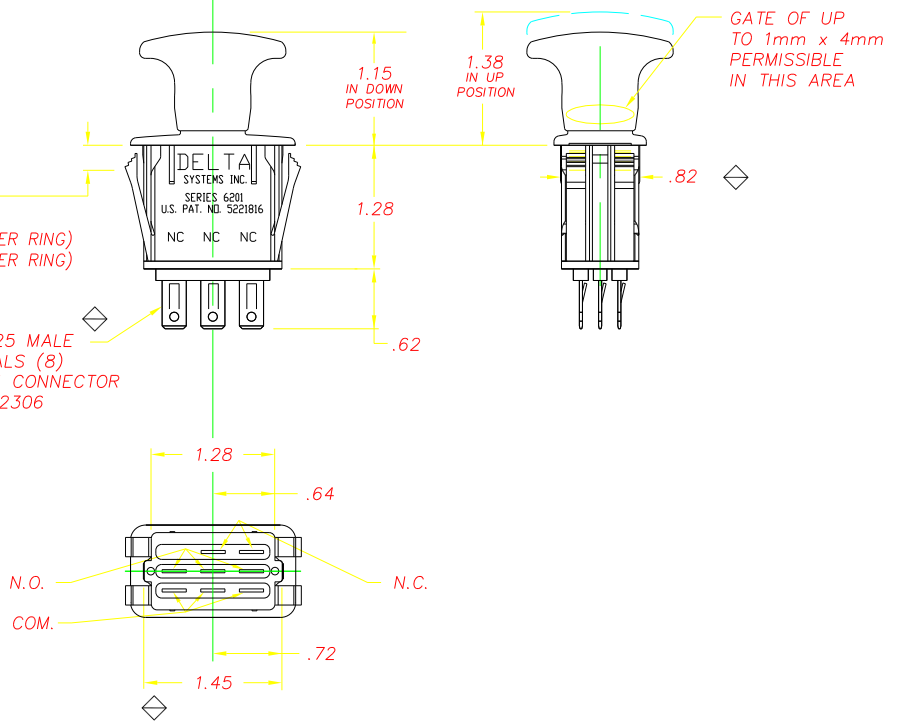


RECOMMENDED MOUNTING HOLE



SNAP WINGS TO ACCOMMODATE SPECIFIC PANEL THICKNESSES OF;
 .055 MAX. (WITH #972301 RETAINER RING)
 .085 MAX. (WITH #972301 RETAINER RING)
 .105 MAX.
 .135 MAX.
 .165 MAX. (NOTE 9)

.03 x .25 MALE TERMINALS (8)
 USE DSI CONNECTOR P/N 972306



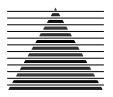
NOTES:

- 1-MAT'L: PLASTIC PARTS ARE DELTON™. TERMINALS ARE NICKEL OR TIN PLATED BRASS.
- 2-SWITCH MUST RESIST 40# FORCE WITHOUT PULLING OUT OR DAMAGING SWITCH.
- 3-BEZEL SURFACE TEXTURED TO MOLD TECH TEXTURE STANDARD MT1055-5.
- 4-ON (UP) FORCE IS 11.00± 3.50 LBS.
- 5-OFF (DOWN) FORCE IS 8.50 ± 2.00 LBS.
- 6-OPERATING FORCES MEASURED AFTER 10 (TEN) CYCLES.
- 7-DATE CODE INDICATING YEAR, MONTH,& DAY OF MONTH MANUFACTURED STAMPED ON HOUSING.
- 8-SWITCH FUNCTIONALITY TESTED AFTER ASSEMBLY.
- 9-THICKNESS INCLUDES PAINT AND/OR ANY OTHER LAYERS APPLIED BETWEEN SWITCH AND PANEL.
- 10-SWITCH BODY IS BLACK; KNOB IS YELLOW; GRAPHICS ARE PAD PRINTED BLACK.
- 11-THIS PRODUCT IS COVERED BY THE FOLLOWING U.S. PATENT: 5,221,816.

DELTA SYSTEMS, INC. DOES NOT ASSUME ANY LIABILITY ARISING OUT OF THE MISAPPLICATION OF ANY PRODUCT

COMPUTER GENERATED DRAWING - NO MANUAL CHANGES ALLOWED
 UNLESS OTHERWISE SPECIFIED TOLERANCES ARE:
 .XX± .02 .XXX± .005 ANG± 1°
 DO NOT SCALE DRAWING

DRAWN LMM DATE 07/06/98
 CHECKED JH DATE 07/09/98
 MATERIAL SEE NOTE 1
 FINISH AS NOTED

 DELTA SYSTEMS INC. STREETSBORO, OHIO 44241		TITLE	
		P.T.O. SWITCH	
SIZE	C	DWG. NO.	6201-315
SCALE	FULL	PROJECT NO.	EX315
		REV	B