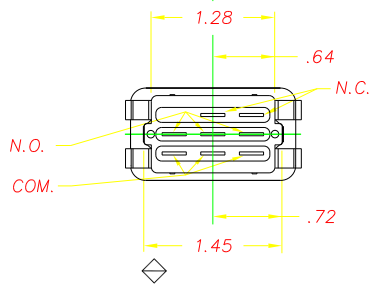
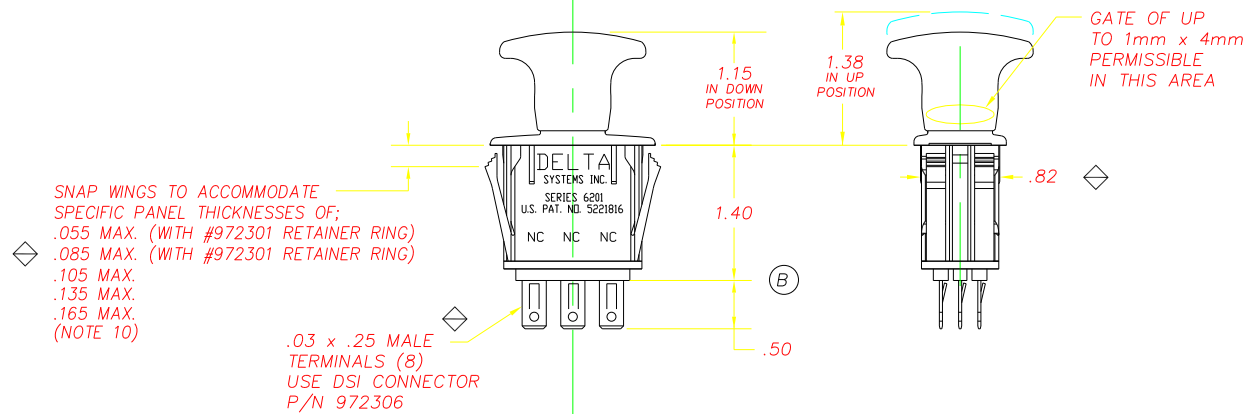
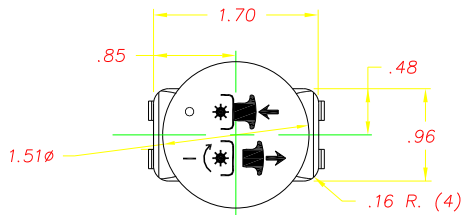
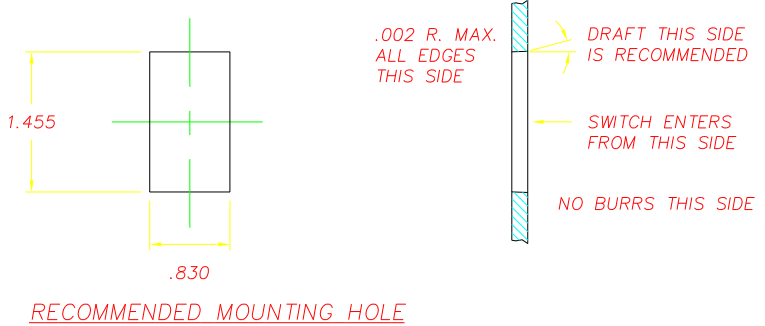



REVISIONS			
~	NEW PTO SERIES, CR 1106	07/09/98	JH
A	REVISED GRAPHICS, CR 1312	07/26/99	JH
B	REVISED DIMENSION LOCATION	07/27/00	JH
C	INCREASE OPERATING FORCE CR 1467	09/19/03	JM



**NOTES:**

- 1-MAT'L: PLASTIC PARTS ARE DELTON™ (BLACK); TERMINALS ARE NICKEL OR TIN PLATED BRASS.
- 2-GRAPHICS ARE PAD PRINTED WHITE.
- 3-SWITCH MUST RESIST 40# FORCE WITHOUT PULLING OUT OF PANEL OR DAMAGING SWITCH.
- 4-BEZEL SURFACE TEXTURED TO MOLD TECH TEXTURE STANDARD MT1055-5.
- 5-ON (UP) FORCE IS 11.00± 3.50 LBS. ◇
- 6-OFF (DOWN) FORCE IS 8.50 ± 2.00 LBS. ◇
- 7-OPERATING FORCES MEASURED AFTER 10 (TEN) CYCLES.
- 8-DATE CODE INDICATING YEAR, MONTH, & DAY OF MONTH MANUFACTURED STAMPED ON HOUSING.
- 9-SWITCH FUNCTIONALITY TESTED AFTER ASSEMBLY. ◇
- 10-THICKNESS INCLUDES PAINT AND/OR ANY OTHER LAYERS APPLIED BETWEEN SWITCH & PANEL.
- 11-THIS PRODUCT IS COVERED BY THE FOLLOWING U.S. PATENT: 5,221,816.

DELTA SYSTEMS, INC. DOES NOT ASSUME ANY LIABILITY ARISING OUT OF THE MISAPPLICATION OF ANY PRODUCT		DRAWN DATE <b>LMM 07/06/98</b>	 <b>DELTA SYSTEMS INC.</b> STREETSBORO, OHIO 44241	TITLE <b>P.T.O. SWITCH</b>	
COMPUTER GENERATED DRAWING - NO MANUAL CHANGES ALLOWED		CHECKED DATE <b>JH 07/09/98</b>		SIZE <b>C</b>	DWG. NO. <b>6201-303</b>
UNLESS OTHERWISE SPECIFIED DIMENSIONS ARE IN INCHES TOLERANCES ARE: .XX# .02 .XXX# .005 ANG# 1° DO NOT SCALE DRAWING		MATERIAL SEE NOTE 1	FINISH AS NOTED	SCALE <b>FULL</b>	REV <b>C</b>