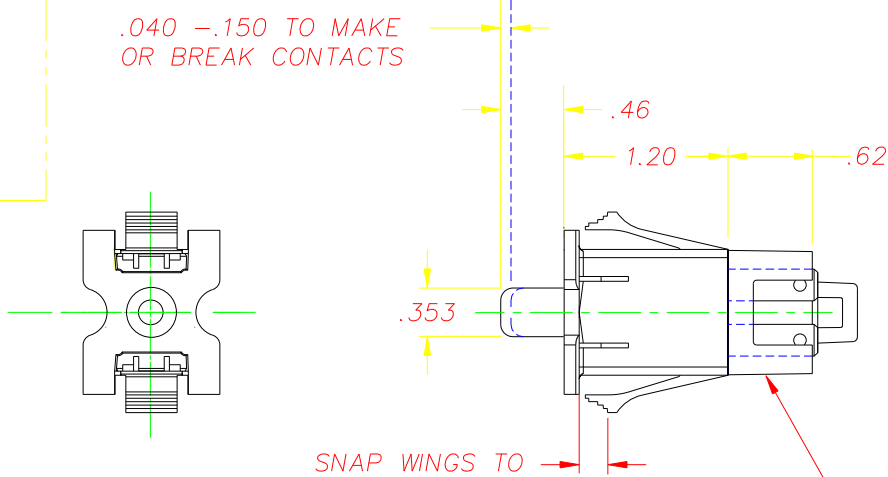
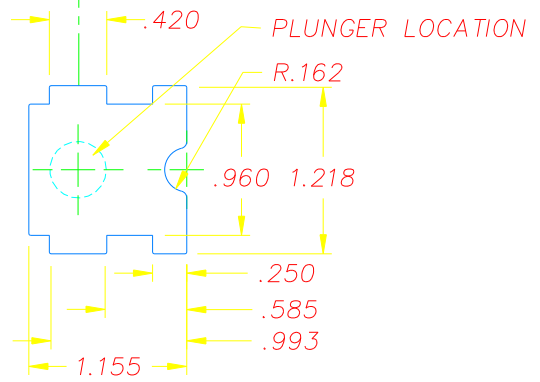
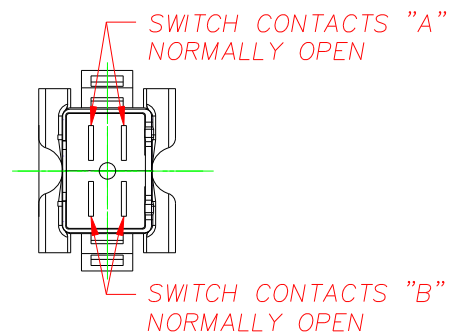


BREAK OUT OPPOSITE TO SWITCH MOUNTING SURFACE

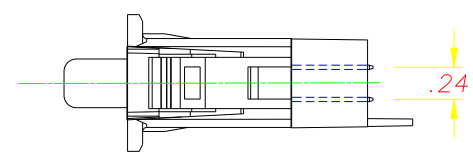
BOTTOM MOUNT PANEL CUT OUT



ACCOMODATE PANEL THICKNESS OF .055, .120, .160, .190, TOP MOUNT CONFIGURATION. BOTTOM MOUNT PANEL CUT OUT FOR PANELS ≤ 11 GAGE STEEL.



CONNECTOR GUIDE TO MATE AND LATCH WITH PACKARD 4-WAY CONNECTOR # 2977048.



REVISIONS			
~	INITIAL RELEASE, CR 1579	10/14/05	JLM

NOTES:

- 1-PLASTIC PARTS-DELTON , UV STABLE, FUEL RESISTANT THERMOPLASTIC.™
- TERMINALS-NICKEL PLATED BRASS.
- 2-DATE CODE INDICATING YEAR, MONTH, AND DAY OF MONTH MANUFACTURED STAMPED ON HOUSING.
- 3-INTEGRITY OF WELD AND SWITCH FUNCTIONALITY TESTED AFTER ASSEMBLY.
- 4-THIS PRODUCT COVERED BY THE FOLLOWING U.S. PATENT: 4,812,604. OTHER PATENTS APPLIED FOR.

DELTA SYSTEMS, INC. DOES NOT ASSUME ANY LIABILITY ARISING OUT OF THE MISAPPLICATION OF ANY PRODUCT

COMPUTER GENERATED DRAWING - NO MANUAL CHANGES ALLOWED

UNLESS OTHERWISE SPECIFIED DIMENSIONS ARE IN INCHES TOLERANCES ARE:
.xx± .02 .xxx± .002 ANG± 1°

DO NOT SCALE DRAWING

DRAWN	DATE
JLM	05/05/05
CHECKED	DATE
MA	07/07/05
MATERIAL	
SEE NOTE 1	
FINISH	
SEE OPTION TABLE	

DELTA SYSTEMS INC. STREETSBORO, OHIO 44241	
TITLE: 6750 SSC SERIES PLUNGER SWITCH, NO/NO DOUBLE POLE	
SIZE: B	DWG. NO. 6750-50B
SCALE: FULL	PROJECT NO. EX-311 REV ~

