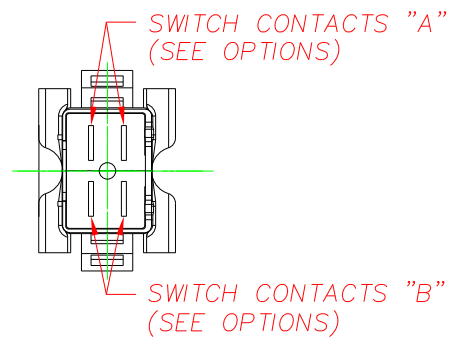
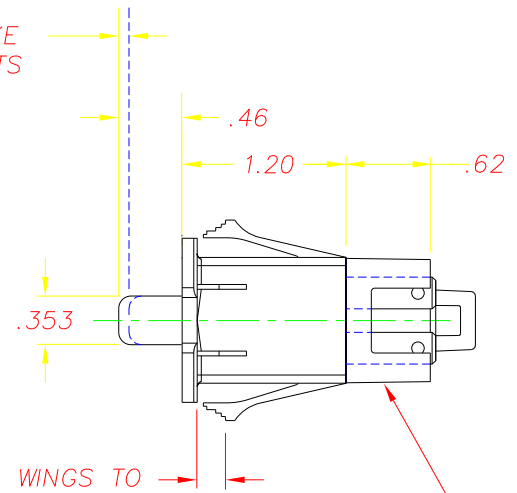
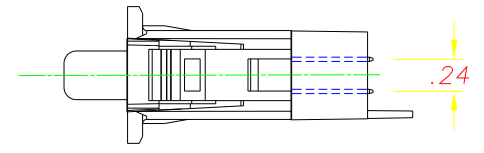


SNAP WINGS TO ACCOMMODATE PANEL THICKNESS OF .055, .120, .160, .190, TOP MOUNT CONFIGURATION. BOTTOM MOUNT PANEL CUT OUT FOR PANELS ≤ 11 GAGE STEEL.



CONNECTOR GUIDE TO MATE AND LATCH WITH PACKARD 4-WAY CONNECTOR # 2977048.



REVISIONS			
~	INITIAL RELEASE, CR 1579	10/14/05	JLM

NOTES:

- 1-"NC" STAMPED ON ALL NORMALLY CLOSED TERMINALS.
- 2-PLASTIC PARTS-DELTON, UV STABLE, FUEL RESISTANT THERMOPLASTIC.™
- TERMINALS-NICKEL PLATED BRASS.
- 3-DATE CODE INDICATING YEAR, MONTH, AND DAY OF MONTH MANUFACTURED STAMPED ON HOUSING.
- 4-INTEGRITY OF WELD AND SWITCH FUNCTIONALITY TESTED AFTER ASSEMBLY.
- 5-THIS PRODUCT COVERED BY THE FOLLOWING U.S. PATENT: 4,812,604. OTHER PATENTS APPLIED FOR.

OPTIONS & IDENTIFIER TABLE

DSI P/N	SWITCH "A"	SWITCH "B"	COLOR	IDENTIFIER
6750-01B	N.O.	N.C.	GRAY	NONE
6750-51B	N.C.	N.C.	GRAY	BLUE

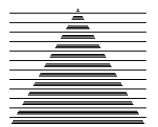
DELTA SYSTEMS, INC. DOES NOT ASSUME ANY LIABILITY ARISING OUT OF THE MISAPPLICATION OF ANY PRODUCT

DRAWN	DATE
JLM	08/02/04
CHECKED	DATE
MA	07/07/05
MATERIAL	
SEE NOTE 2	
FINISH	
SEE OPTION TABLE	

COMPUTER GENERATED DRAWING - NO MANUAL CHANGES ALLOWED

UNLESS OTHERWISE SPECIFIED DIMENSIONS ARE IN INCHES TOLERANCES ARE:
 .XX± .02 .XXX± .002 ANG± 1°

DO NOT SCALE DRAWING



DELTA
SYSTEMS INC.
STREETSBORO, OHIO 44241

TITLE: 6750 SSC SERIES PLUNGER SWITCH, NO/NC DOUBLE POLE

SIZE: B DWG. NO. 6750-01B,51B

SCALE: FULL PROJECT NO. EX-311 REV ~