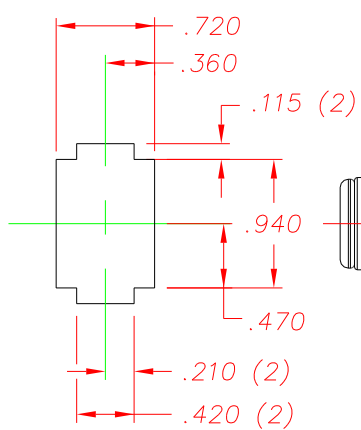
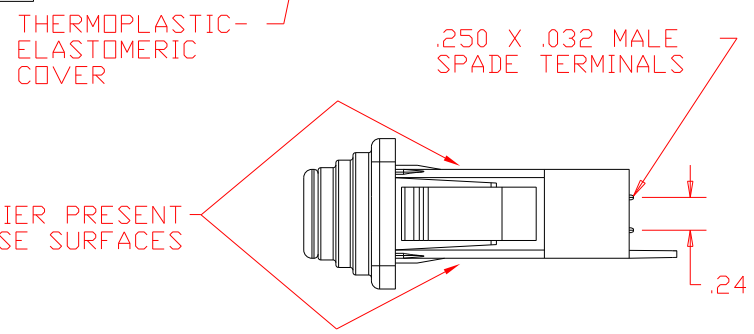
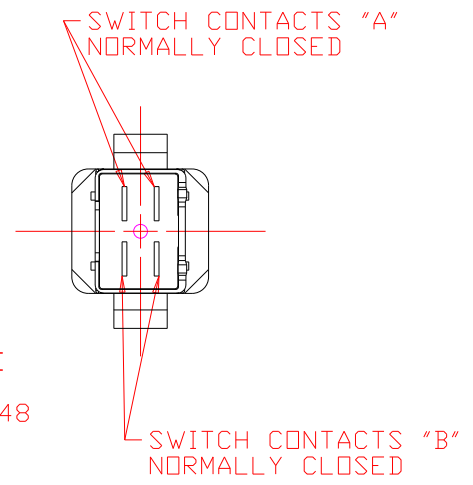
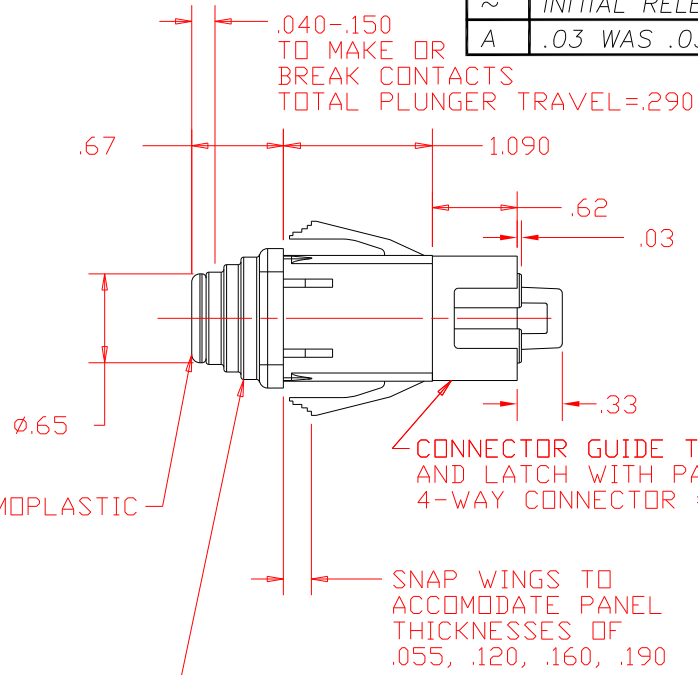
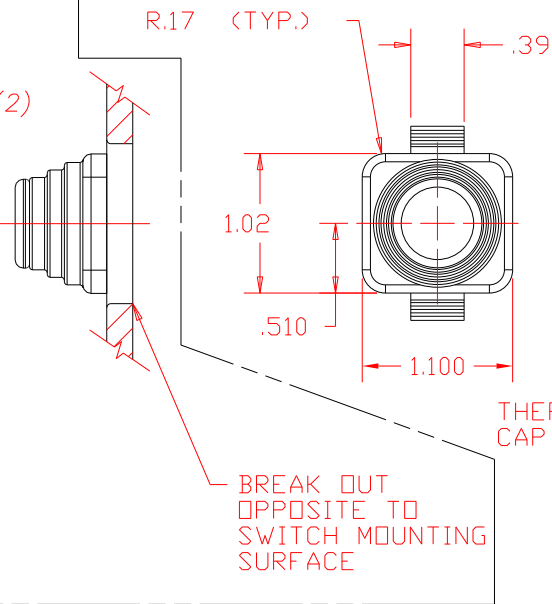


REVISIONS			
~	INITIAL RELEASE, CR1483	08/17/04	MA
A	.03 WAS .036, CN1443	07/30/07	MA



RECOMMENDED MOUNTING HOLE



NOTES:

- 1-"NC" STAMPED ON ALL NORMALLY CLOSED TERMINALS
- 2-PLASTIC PARTS-DELTON, UV STABLE, FUEL RESISTANT THERMOPLASTIC. TERMINALS-NICKEL PLATED BRASS.
- 3-DATE CODE INDICATING YEAR, MONTH, AND DAY OF MONTH MANUFACTURED STAMPED ON HOUSING.
- 4-INTEGRITY OF WELD AND SWITCH FUNCTIONALITY TESTED AFTER ASSEMBLY.
- 5-THIS PRODUCT COVERED BY THE FOLLOWING U.S. PATENT: 4,812,604. OTHER PATENTS APPLIED FOR.
- 6-SWITCH BODY IS GRAY, PLUNGER COVER IS BLACK.

DELTA SYSTEMS, INC. DOES NOT ASSUME ANY LIABILITY ARISING OUT OF THE MISAPPLICATION OF ANY PRODUCT

COMPUTER GENERATED DRAWING - NO MANUAL CHANGES ALLOWED

UNLESS OTHERWISE SPECIFIED DIMENSIONS ARE IN INCHES TOLERANCES ARE:
 .XX± .02 .XXX± .005 ANG± 1°
 DO NOT SCALE DRAWING

DRAWN	DATE
MA	11/24/03
CHECKED	DATE
JM	08/17/04
MATERIAL	
SEE NOTES	
FINISH	
SEE NOTES	

 DELTA SYSTEMS INC. STREETSBORO, OHIO 44241		TITLE	
		N.C./N.C. 6710 SERIES SNAP MOUNT PLUNGER SWITCH	
SIZE	DWG. NO.	REV	
B	6710-51B	A	
SCALE		PROJECT NO.	REV
FULL		EX357	A