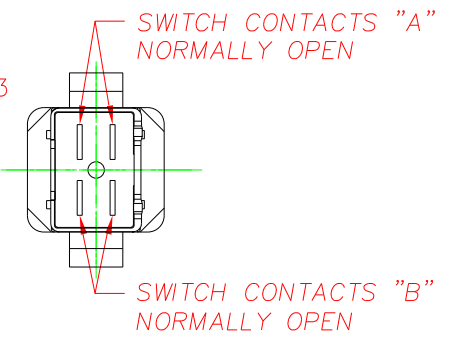
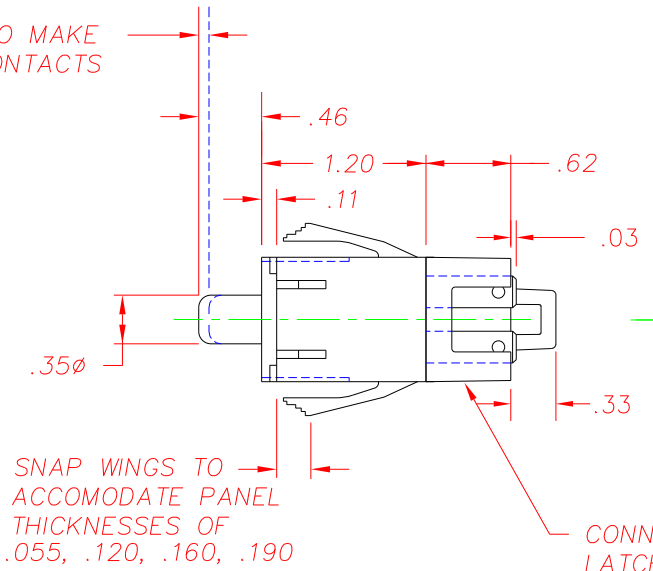
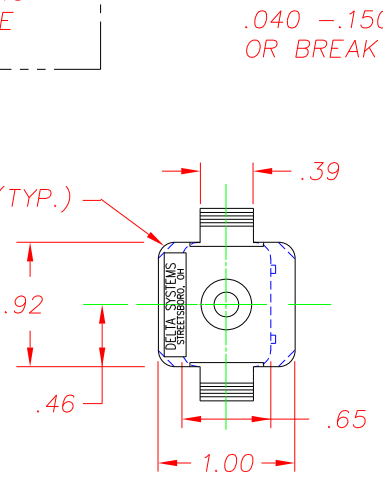
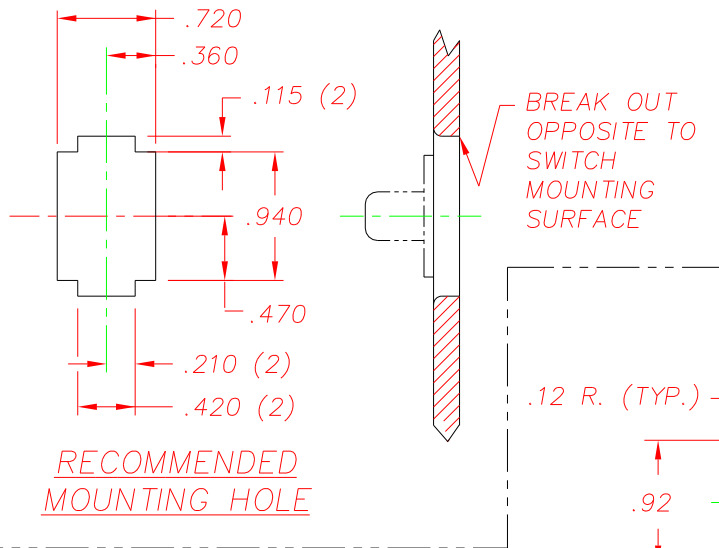
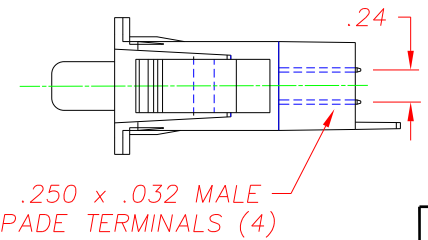


REVISIONS			
~	RELEASED FROM EX, CR 1428	10/11/01	JH
A	ADDED .33, .036 DIMS., CR1483	08/17/04	MA
B	.03 WAS .036, CN1443	07/30/07	MA



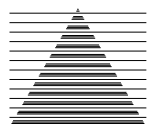
CONNECTOR GUIDE TO MATE AND LATCH WITH PACKARD 4-WAY CONNECTOR # 2977048.



NOTES:

- 1-PLASTIC PARTS-DELTON™, UV STABLE, FUEL RESISTANT THERMOPLASTIC. TERMINALS-NICKEL PLATED BRASS.
- 2-DATE CODE INDICATING YEAR, MONTH, AND DAY OF MONTH MANUFACTURED STAMPED ON HOUSING.
- 3-INTEGRITY OF WELD AND SWITCH FUNCTIONALITY TESTED AFTER ASSEMBLY.
- 4-THIS PRODUCT COVERED BY THE FOLLOWING U.S. PATENT: 4,812,604. OTHER PATENTS APPLIED FOR.

DELTA SYSTEMS, INC. DOES NOT ASSUME ANY LIABILITY ARISING OUT OF THE MISAPPLICATION OF ANY PRODUCT		DRAWN	DATE
		MA	10/20/00
COMPUTER GENERATED DRAWING - NO MANUAL CHANGES ALLOWED		CHECKED	DATE
		JH	10/11/01
UNLESS OTHERWISE SPECIFIED DIMENSIONS ARE IN INCHES TOLERANCES ARE: .xx± .02 .xxx± .005 ANG± 1°		MATERIAL	
		SEE NOTE 1	
DO NOT SCALE DRAWING		FINISH	
		HOUSING ~ BLACK REMAINDER ~ GRAY	

 DELTA SYSTEMS INC. STREETSBORO, OHIO 44241		TITLE	
		6700 SERIES PLUNGER SWITCH, DOUBLE POLE - SNAP MOUNT	
SIZE	DWG. NO.	6700-50B	
B			
SCALE	PROJECT NO.	REV	
FULL	EX-311	B	