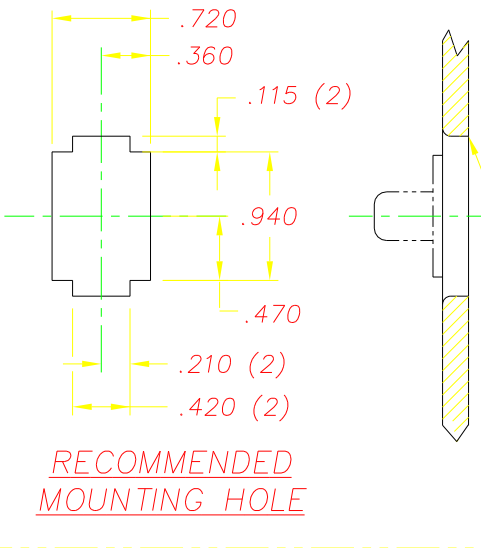
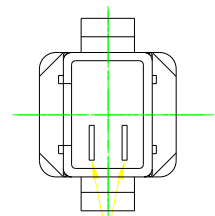
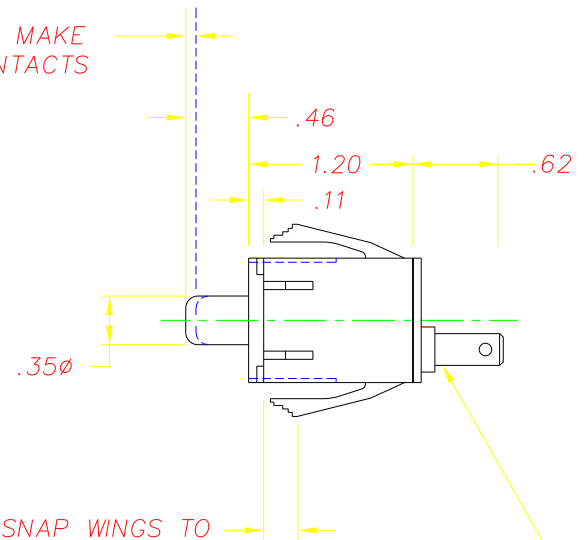
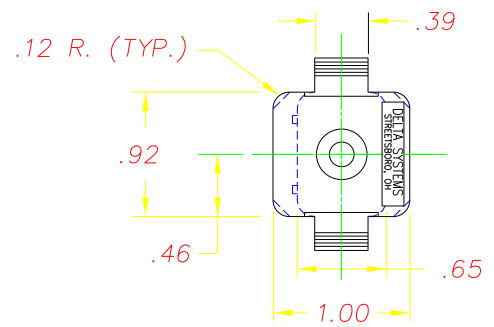


REVISIONS		
~	INITIAL RELEASE, CR 1437	08/27/01 JH



BREAK OUT OPPOSITE TO SWITCH MOUNTING SURFACE

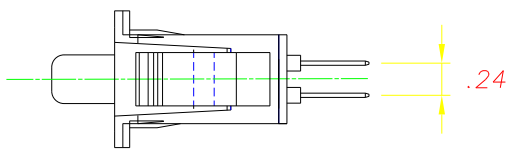
.040 -.150 TO MAKE OR BREAK CONTACTS



SWITCH CONTACTS "A" (SEE OPTIONS)

SNAP WINGS TO ACCOMMODATE PANEL THICKNESSES OF .055, .120, .160, .190

.250 X .032 MALE SPADE TERMINALS MATE WITH PACKARD CONNECTOR #2973872



OPTIONS & COLOR

DSI P/N	SWITCH "A"	COLOR
6700-30	N.O.	GRAY HSG & PLUNGER, BLACK BACK COVER
6700-31	N.C.	GRAY HOUSING, PLUNGER & BACK COVER

NOTES:

- 1-"NC" STAMPED ON ALL NORMALLY CLOSED TERMINALS.
- 2-PLASTIC PARTS-DELTON™, UV STABLE, FUEL RESISTANT THERMOPLASTIC.
- TERMINALS-NICKEL PLATED BRASS.
- 3-DATE CODE INDICATING YEAR, MONTH, AND DAY OF MONTH MANUFACTURED STAMPED ON HOUSING.
- 4-INTEGRITY OF WELD AND SWITCH FUNCTIONALITY TESTED AFTER ASSEMBLY.
- 5-THIS PRODUCT COVERED BY THE FOLLOWING U.S. PATENT: 4,812,604. OTHER PATENTS APPLIED FOR.

DELTA SYSTEMS, INC. DOES NOT ASSUME ANY LIABILITY ARISING OUT OF THE MISAPPLICATION OF ANY PRODUCT

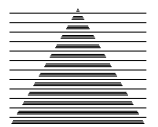
DRAWN	DATE
DMR	05/30/01
CHECKED	DATE
JH	08/27/01
MATERIAL	
SEE NOTE 2	
FINISH	
SEE OPTION TABLE	

COMPUTER GENERATED DRAWING - NO MANUAL CHANGES ALLOWED

UNLESS OTHERWISE SPECIFIED DIMENSIONS ARE IN INCHES TOLERANCES ARE:

.XX±	.XXX±	ANG±
------	-------	------

DO NOT SCALE DRAWING



DELTA SYSTEMS INC.
STREETSBORO, OHIO 44241

TITLE: 6700 SERIES PLUNGER SWITCH, SINGLE POLE - SNAP MOUNT

SIZE: B DWG. NO. 6700-30, 31

SCALE: FULL PROJECT NO. EX-366 REV ~