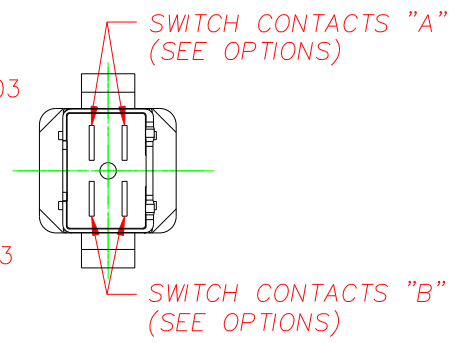
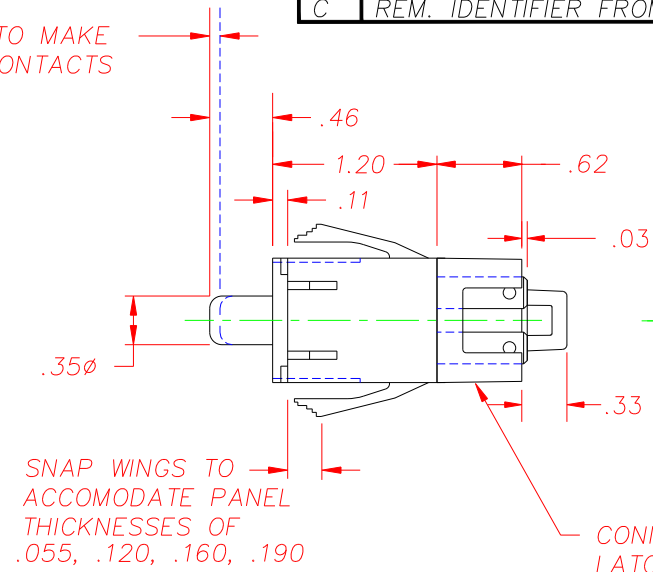
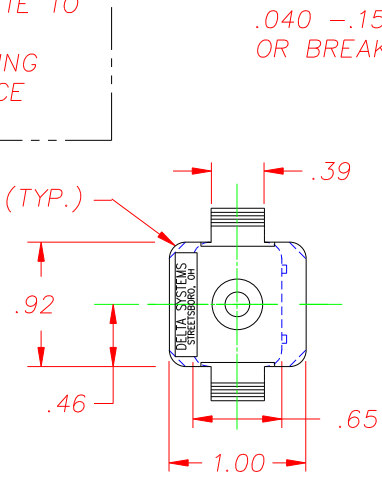
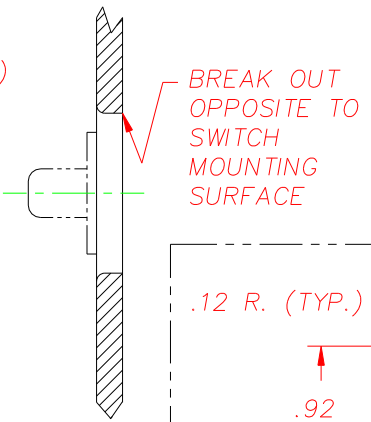
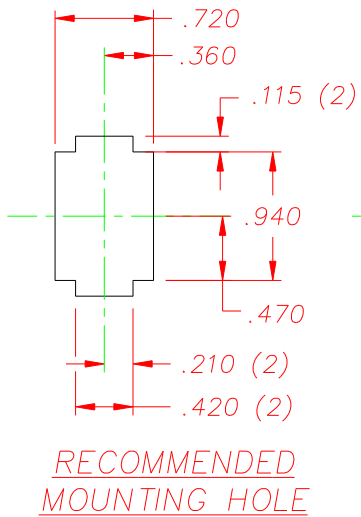
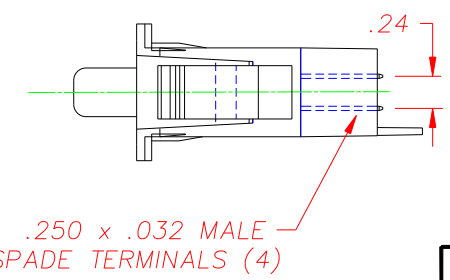


REVISIONS

~	RELEASED FROM EX, CR 1428	10/11/01	JH
A	ADDED .33, .036 DIMS., CR1483	08/17/04	MA
B	.03 WAS .036, CN1443	07/30/07	MA
C	REM. IDENTIFIER FROM TABLE, CR1719	04/30/07	MA



CONNECTOR GUIDE TO MATE AND LATCH WITH PACKARD 4-WAY CONNECTOR # 2977048.



OPTIONS TABLE

DSI P/N	POLE "A"	POLE "B"	COLOR
6700-01B	N.O.	N.C.	GRAY HOUSING, BACK COVER, PLUNGER
6700-51B	N.C.	N.C.	GRAY HOUSING, PLUNGER, OLIVE BACK COVER

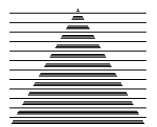
NOTES:

- 1-"NC" STAMPED ON ALL NORMALLY CLOSED TERMINALS.
- 2-PLASTIC PARTS-DELTON™, UV STABLE, FUEL RESISTANT THERMOPLASTIC.
- TERMINALS-NICKEL PLATED BRASS.
- 3-DATE CODE INDICATING YEAR, MONTH, AND DAY OF MONTH MANUFACTURED STAMPED ON HOUSING.
- 4-INTEGRITY OF WELD AND SWITCH FUNCTIONALITY TESTED AFTER ASSEMBLY.
- 5-THIS PRODUCT COVERED BY THE FOLLOWING U.S. PATENT: 4,812,604. OTHER PATENTS APPLIED FOR.
- 6-FOR 6700-01B - "NC" POLE BREAKS CONTACT BEFORE THE "NO" POLE MAKES CONTACT.

DELTA SYSTEMS, INC. DOES NOT ASSUME ANY LIABILITY ARISING OUT OF THE MISAPPLICATION OF ANY PRODUCT

COMPUTER GENERATED DRAWING - NO MANUAL CHANGES ALLOWED
 UNLESS OTHERWISE SPECIFIED DIMENSIONS ARE IN INCHES TOLERANCES ARE:
 .xx± .02 .xxx± .005 ANG± 1°
 DO NOT SCALE DRAWING

DRAWN MA DATE 10/19/00
 CHECKED JH DATE 10/11/01
 MATERIAL SEE NOTE 2
 FINISH SEE TABLE



DELTA
SYSTEMS INC.
STREETSBORO, OHIO 44241

TITLE 6700 SERIES PLUNGER SWITCH, DOUBLE POLE - SNAP MOUNT

SIZE B DWG. NO. 6700-01B,51B

SCALE FULL PROJECT NO. EX-311 REV C

