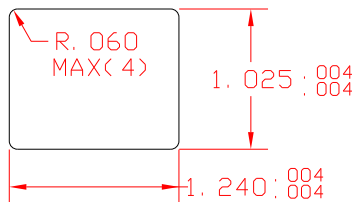
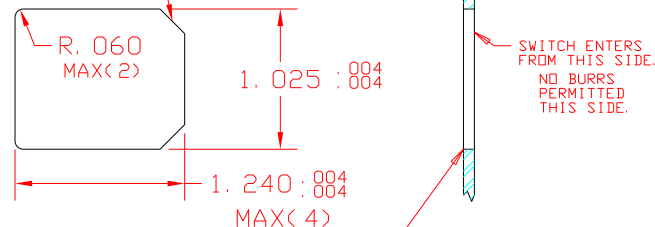


**STANDARD MOUNTING HOLE**



FOR 0.060, 0.085, 0.105 MAX PANELS  
(THICKNESS INCLUDES PAINT AND ANY OTHER COVERINGS APPLIED TO PANEL.)

**ANTI-ROTATION MOUNTING HOLE**

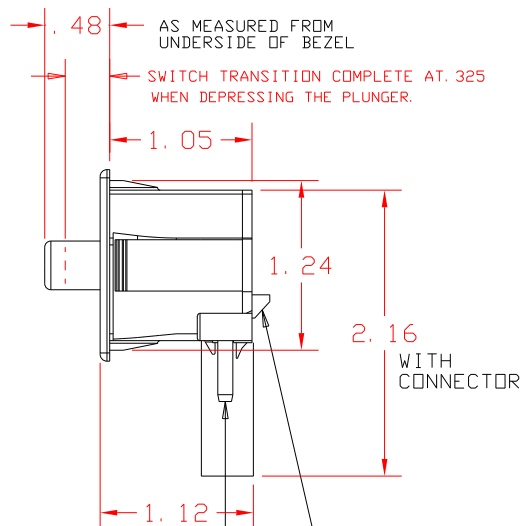
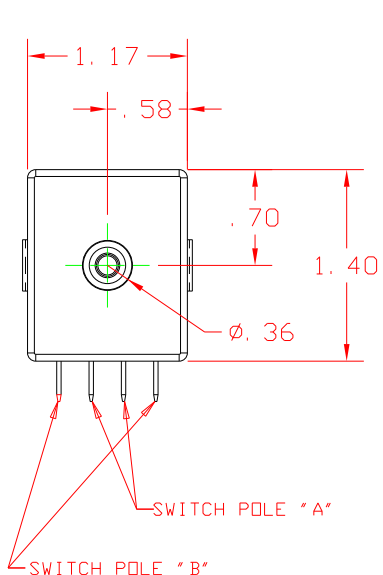
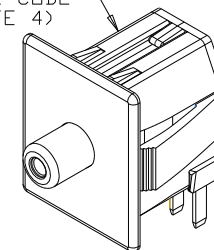


FOR 0.060, 0.085, 0.105 MAX PANELS  
(THICKNESS INCLUDES PAINT AND ANY OTHER COVERINGS APPLIED TO PANEL.)

**REVISIONS**

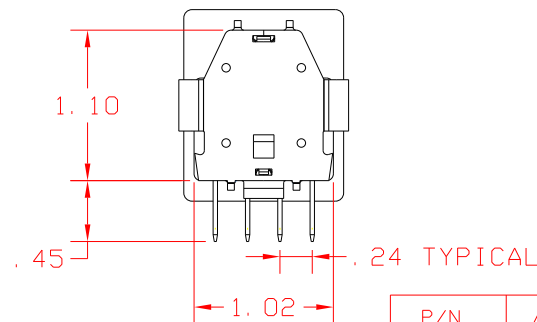
~	INITIAL RELEASE, CR1338	10/11/99	JH
A	COLOR SPECS, TERM SPECS, CR1397	10/02/00	JH
B	ADDED PATENT NO., CR1405	04/11/01	JH
C	CLARIFY LEADER, CN0580	10/29/02	JG

DATE CODE (NOTE 4)



INTEGRAL DELTA LOCKING CONNECTOR AVAILABLE, 96545 SHORTING SERIES, 96546 NON-SHORTING SERIES

.110x.032 TERMINALS (SEE NOTE 6)



P/N	POLE A B	COLOR
6444-02	NO/NO	BLACK
6444-03	NC/NC	GRAY
6444-53	NC/NO	BODY BLACK/PLUNGER GRAY
6444-51	NC/	GRAY
6444-52	/NO	BLACK

**NOTES:**    Δ DESIGNATES CRITICAL CHARACTERISTICS

- TERMINALS ARE BRASS.
- HOUSING & PLUNGER ARE DELTON™ UV-STABLE, FUEL RESISTANT THERMOPLASTIC.
- INTEGRITY OF WELD & SWITCH FUNCTIONALITY TESTED AFTER ASSEMBLY.
- DATE CODE INDICATES YEAR, MONTH & DAY OF MONTH MANUFACTURED.
- MATING DELTA CONNECTOR IS P/N #96545 (SHORTING POLE "A"); #96546 (NON SHORTING SERIES)
- MATING TERMINAL IS P/N PACKARD #12034046 (18-20 GA WIRE) #12066214 (14-16 GA WIRE)
- RATED 3A @ 12-14 VDC (CYCLES= 10K INDUCTIVE; 100K RESISTIVE)
- FORCE TO DEPRESS PLUNGER .40" = 4.6±1.7 LB.
- THIS PRODUCT IS COVERED BY U.S. PATENT # 6,207,910.

DELTA SYSTEMS, INC. DOES NOT ASSUME ANY LIABILITY ARISING OUT OF THE MISAPPLICATION OF ANY PRODUCT

COMPUTER GENERATED DRAWING - NO MANUAL CHANGES ALLOWED

UNLESS OTHERWISE SPECIFIED DIMENSIONS ARE IN INCHES TOLERANCES ARE:

XX± .02    .XXX± .005    ANG±1°

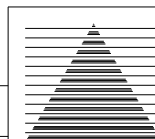
DO NOT SCALE DRAWING

DRAWN JLM    DATE 11/09/98

CHECKED ML    DATE 11/19/98

MATERIAL AS NOTED

FINISH AS NOTED



DELTA SYSTEMS INC.

STREETSBOARD, OHIO 44241

TITLE LOW PROFILE DOUBLE POLE PLUNGER SWITCH

SIZE B    DWG. NO. 6444-XX

SCALE 1X    PROJECT NO. EX360    REV C