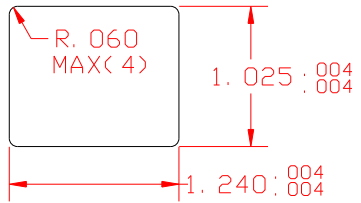
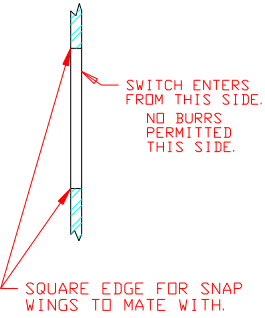


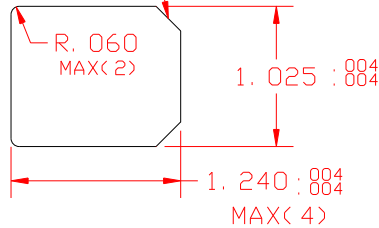
STANDARD MOUNTING HOLE



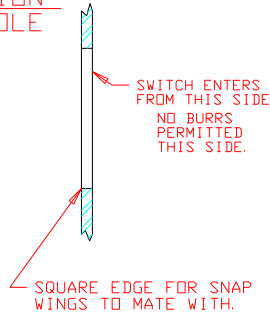
FOR 0.060, 0.085, 0.105 MAX PANELS
(THICKNESS INCLUDES PAINT AND ANY OTHER COVERINGS APPLIED TO PANEL.)



.180 X 45 CHAMFER(2) ANTI-ROTATION MOUNTING HOLE



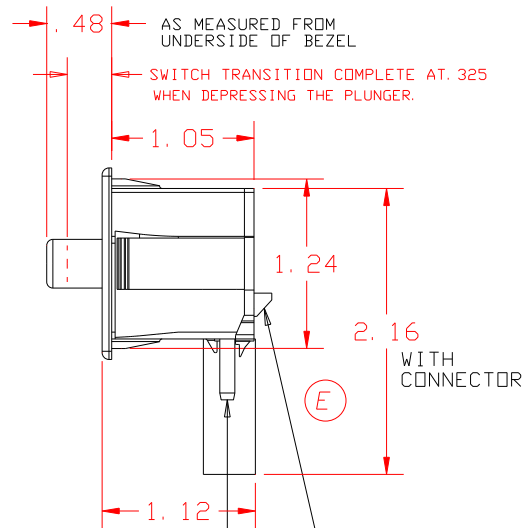
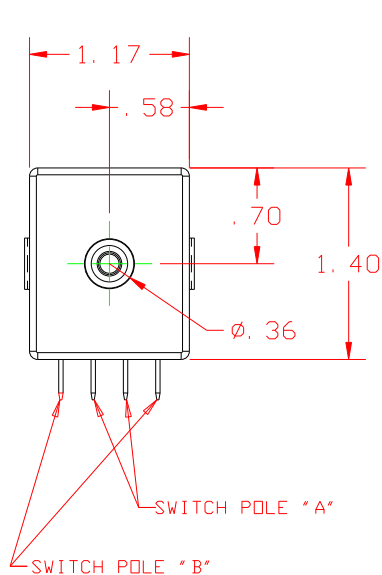
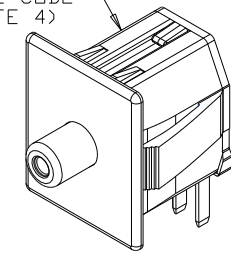
FOR 0.060, 0.085, 0.105 MAX PANELS
(THICKNESS INCLUDES PAINT AND ANY OTHER COVERINGS APPLIED TO PANEL.)



REVISIONS

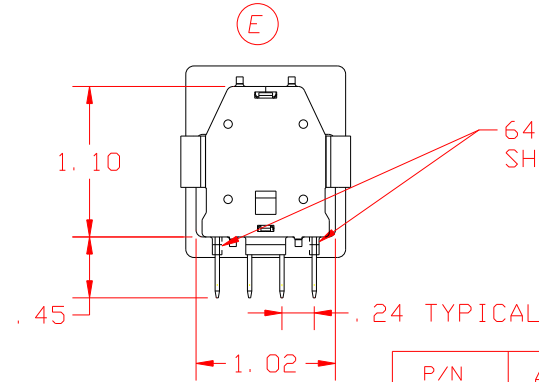
~	INITIAL RELEASE, CR1405	04/11/01	JH
A	CLARIFY LEADER, CN0580	10/29/02	JG
B	OBSOLETE 6444-652, CN 0689	08/11/03	JH
C	ADDED 6444-683 TO TABLE, CR1600	03/15/05	MA
D	6444-683 BACK COVER WAS OLIVE	11/30/05	MA
E	UPDATED MOD. BACK COVER, CR 1742	08/27/09	MA

DATE CODE (NOTE 4)



INTEGRAL DELTA LOCKING CONNECTOR AVAILABLE, 96545 SHORTING SERIES, 96546 NON-SHORTING SERIES

.110x.032 TERMINALS (SEE NOTE 6)



P/N	POLE A B	COLOR
6444-602	NO/NO	BLACK
6444-603	NC/NC	GRAY
6444-653	NC/NO	BODY BLACK/PLUNGER GRAY
6444-651	NC/	GRAY
6444-683	NC/NC	BODY GRAY/BACK COVER BLACK

NOTES: Δ DESIGNATES CRITICAL CHARACTERISTICS

- TERMINALS ARE BRASS.
- HOUSING & PLUNGER ARE DELTON TM UV-STABLE, FUEL RESISTANT THERMOPLASTIC.
- INTEGRITY OF WELD & SWITCH FUNCTIONALITY TESTED AFTER ASSEMBLY.
- DATE CODE INDICATES YEAR, MONTH & DAY OF MONTH MANUFACTURED. PREFIX WITH 6.
- MATING DELTA CONNECTOR IS P/N #96545 (SHORTING POLE "A"); #96546 (NON SHORTING SERIES)
- MATING TERMINAL IS P/N PACKARD #12034046 (18-20 GA WIRE) #12066214 (14-16 GA WIRE)
- RATED 3A @ 12-14 VDC (CYCLES= 10K INDUCTIVE; 100K RESISTIVE)
- FORCE TO DEPRESS PLUNGER .40" = 6.0±1.5 LB.
- THIS PRODUCT IS COVERED BY U. S. PATENT# 6,207,910.

DELTA SYSTEMS, INC. DOES NOT ASSUME ANY LIABILITY ARISING OUT OF THE MISAPPLICATION OF ANY PRODUCT

COMPUTER GENERATED DRAWING - NO MANUAL CHANGES ALLOWED
UNLESS OTHERWISE SPECIFIED DIMENSIONS ARE IN INCHES TOLERANCES ARE:
XX± .02 .XXX± .005 ANG±1°
DO NOT SCALE DRAWING

DRAWN	DATE
DMR	04/11/01
CHECKED	DATE
JH	04/11/01
MATERIAL	AS NOTED
FINISH	AS NOTED

DELTA SYSTEMS INC.
STREETSBOARD, OHIO 44241

TITLE: LOW PROFILE DOUBLE POLE PLUNGER SWITCH W/ 6# SPRING

SIZE: B DWG. NO. 6444-6XX

SCALE: 1X PROJECT NO. EX360 REV E

