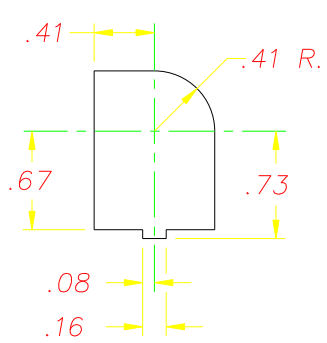
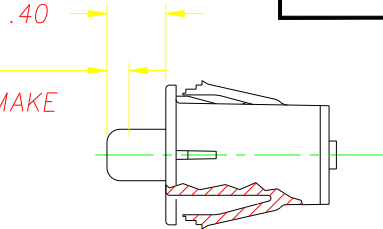


REVISIONS			
~	INITIAL RELEASE, CR1290	6/29/99	JH
A	CHANGED DIM. PER CR1342	9/15/99	JH
B	ADDED WING MOD., CR1427	11/09/02	MA
C	UPDATE TOLERANCE, CN2224	12/22/09	MEL

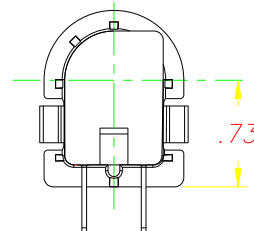
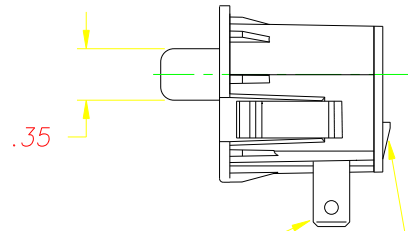
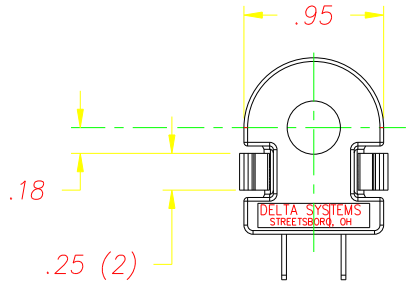


.040 – .150
MOTION TO MAKE
OR BREAK
CONTACTS



WITH COVER ON SWITCH, SNAP WINGS
TO ACCOMMODATE PANEL
THICKNESSES OF .060 AND .085
INCLUDING PAINT AND DECALS.

SUGGESTED MOUNTING HOLE

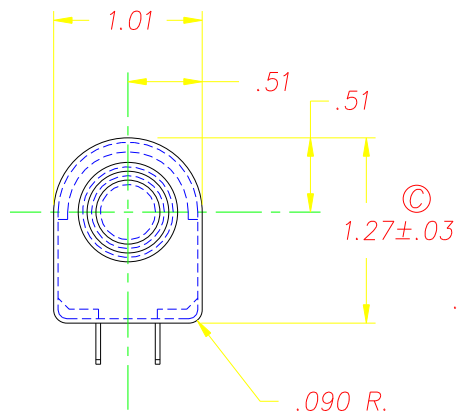


.25 x .032 MALE
BLADE TERMINALS (2)

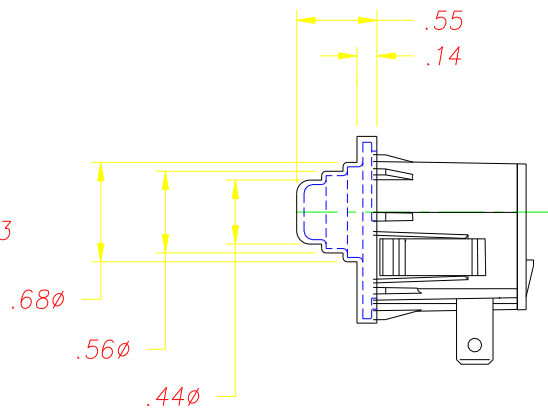
TERMINAL PATTERN & LOCKING
TAB TO MATE WITH DSI SHORTING
CONNECTOR, P/N 96525-GY

NOTES:

- 1-PLASTIC PARTS – DELTON™, UV STABLE, FUEL RESISTANT THERMOPLASTIC. TERMINALS – NICKEL PLATED BRASS. BOOT – THERMOPLASTIC ELASTOMER.
- 2-DATE CODE INDICATING YEAR, MONTH, AND DAY OF MONTH MANUFACTURED STAMPED ON HOUSING.
- 3-INTEGRITY OF WELD AND SWITCH FUNCTIONALITY TESTED AFTER ASSEMBLY.
- 4-THIS PRODUCT COVERED BY THE FOLLOWING U.S. PATENT; 4,812,604. OTHER PATENTS APPLIED FOR.



DIM.'S SHOWN HERE ARE WITH COVER INSTALLED ON SWITCH

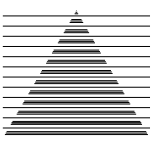


DELTA SYSTEMS, INC. DOES NOT ASSUME ANY LIABILITY ARISING OUT OF THE MISAPPLICATION OF ANY PRODUCT

UNLESS OTHERWISE SPECIFIED DIMENSIONS ARE IN INCHES TOLERANCES ARE:
.XX± .02 .XXX± .005 ANG± ~

DO NOT SCALE DRAWING

DRAWN DMR	DATE 6/25/99
CHECKED JH	DATE 6/25/99
MATERIAL NOTE 1	
FINISH GRAY	

		DELTA SYSTEMS INC. STREETSBORO, OHIO 44241	
TITLE N.C. SNAP MOUNT SWITCH WITH PROTECTIVE COVER			
SIZE B	DWG. NO. 6440-73	PROJECT NO. EX311	REV C
SCALE 2X	SHEET 1 OF		1

