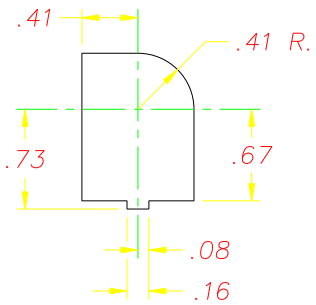
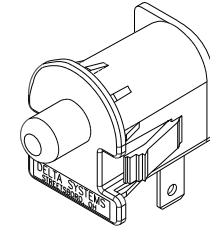
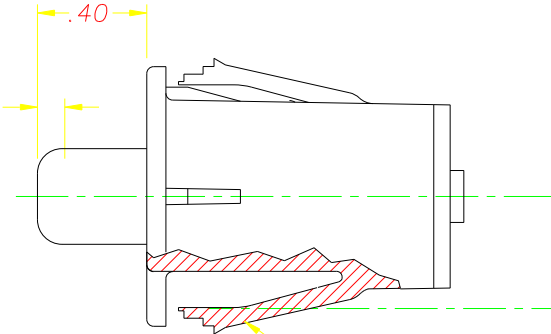


REVISIONS

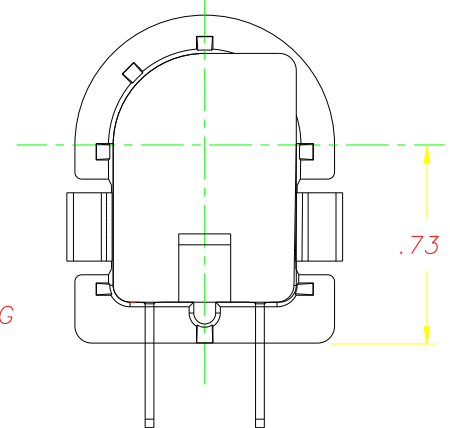
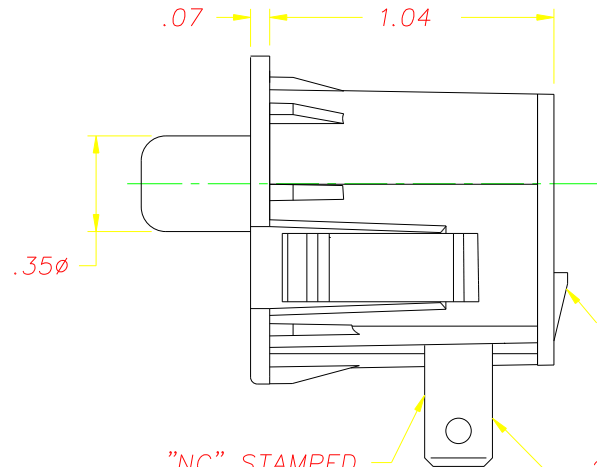
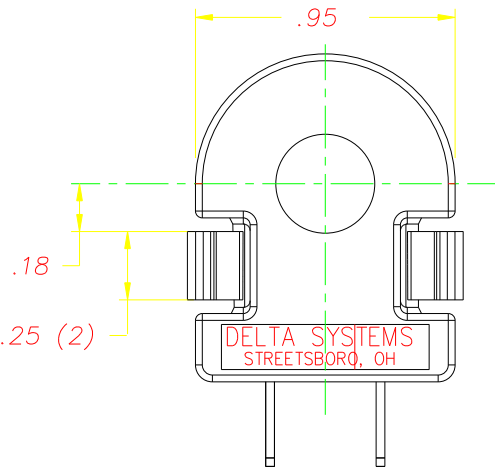
~	INITIAL RELEASE, CR 1448	12/04/01	JH
A	ADDED WING MOD, CR1427	11/09/02	JG
B	BACK TO ACTIVE STATUS, CR 1772	07/21/08	JM



.040 \pm .150 MOTION TO OPEN CONTACTS



SUGGESTED MOUNTING HOLE (SCALE: FULL)



NOTES:

- 1-PLASTIC PARTS ARE DELTON™, UV STABLE, FUEL RESISTANT THERMOPLASTIC. TERMINALS ARE NICKEL-PLATED BRASS.
- 2-SWITCH HOUSING AND BACK COVER ARE GRAY, PLUNGER IS BLACK.
- 3-DATE CODE INDICATING YEAR, MONTH, AND DAY OF MONTH MANUFACTURED STAMPED ON HOUSING.
- 4-INTEGRITY OF WELD & SWITCH FUNCTIONALITY TESTED AFTER ASSEMBLY.
- 5-THIS PRODUCT COVERED BY THE FOLLOWING U.S. PATENT; 4,812,604. OTHER PATENTS APPLIED FOR.

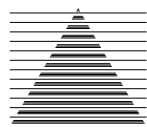
DELTA SYSTEMS, INC. DOES NOT ASSUME ANY LIABILITY ARISING OUT OF THE MISAPPLICATION OF ANY PRODUCT

COMPUTER GENERATED DRAWING - NO MANUAL CHANGES ALLOWED

UNLESS OTHERWISE SPECIFIED DIMENSIONS ARE IN INCHES TOLERANCES ARE:
 .XX± .02 .XXX± .005 ANG± 1°

DO NOT SCALE DRAWING

DRAWN	DATE
LMM	08/02/01
CHECKED	DATE
MA	08/02/01
MATERIAL	SEE NOTE 1
FINISH	SEE NOTE 2

		DELTA SYSTEMS INC. STREETSBORO, OHIO 44241	
TITLE: SNAP MOUNT SWITCH N.C W/6# SPRING			
SIZE: B	DWG. NO. 6440-653		
SCALE: 2X	PROJECT NO. EX311	REV: B	

