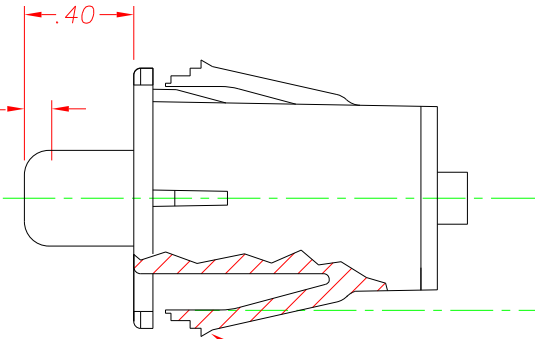
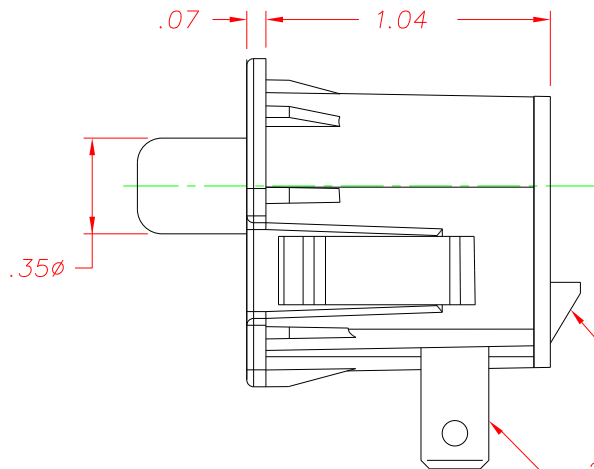
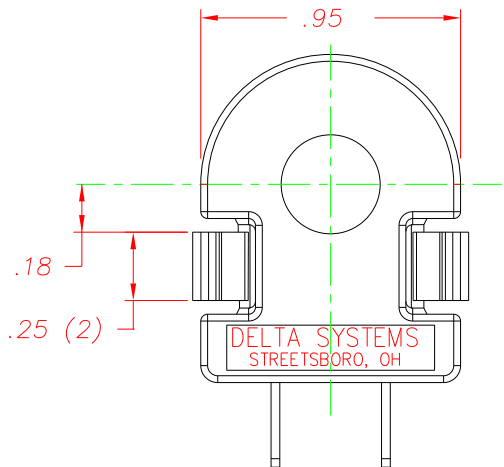


.040 - .150 MOTION TO MAKE OR BREAK CONTACTS.

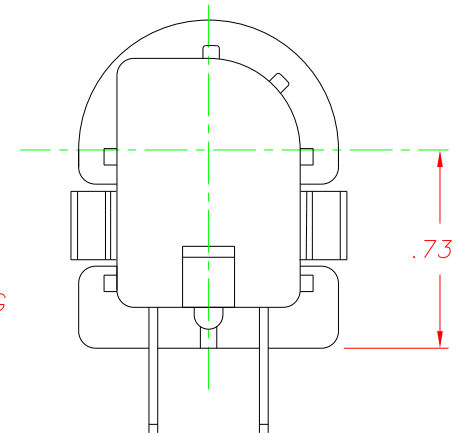


SUGGESTED MOUNTING HOLE (SCALE: FULL)



TERMINAL PATTERN & LOCKING TAB TO MATE WITH EITHER DSI 96525 SERIES OR 96526 SERIES CONNECTORS

.25 x .032 MALE BLADE TERMINALS (2)

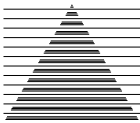


REVISIONS			
~	INITIAL RELEASE, CR 1448	12/04/01	JH
A	ADDED WING MOD, CR1427	11/9/02	JG
B	REVISED TAB & CONCTR P/N, CR1627	02/24/06	MA

NOTES:

- 1 - PLASTIC PARTS ARE DELTON™, UV STABLE, FUEL RESISTANT THERMOPLASTIC. TERMINALS ARE NICKEL-PLATED BRASS.
- 2 - SWITCH HOUSING AND BACK COVER ARE BLACK, PLUNGER IS GRAY.
- 3 - DATE CODE INDICATING YEAR, MONTH, AND DAY OF MONTH MANUFACTURED STAMPED ON HOUSING.
- 4 - INTEGRITY OF WELD & SWITCH FUNCTIONALITY TESTED AFTER ASSEMBLY.
- 5 - THIS PRODUCT COVERED BY THE FOLLOWING U.S. PATENT; 4,812,604. OTHER PATENTS APPLIED FOR.

DELTA SYSTEMS, INC. DOES NOT ASSUME ANY LIABILITY ARISING OUT OF THE MISAPPLICATION OF ANY PRODUCT		DRAWN LMM	DATE 07/25/01
		CHECKED MA	DATE 07/25/01
		MATERIAL SEE NOTE 1	
		FINISH SEE NOTE 2	
COMPUTER GENERATED DRAWING - NO MANUAL CHANGES ALLOWED	UNLESS OTHERWISE SPECIFIED DIMENSIONS ARE IN INCHES TOLERANCES ARE: .xx± .02 .xxx± .005 ANG± 1°		
DO NOT SCALE DRAWING			

		DELTA SYSTEMS INC. STREETSBORO, OHIO 44241	
TITLE SNAP MOUNT SWITCH N.O. W/6# SPRING			
SIZE B	DWG. NO. 6440-604		
SCALE 2X	PROJECT NO. EX311	REV B	