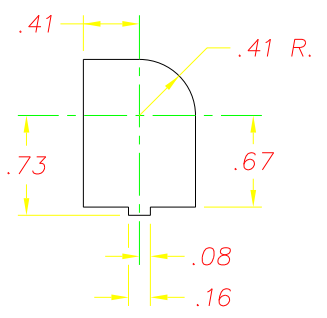
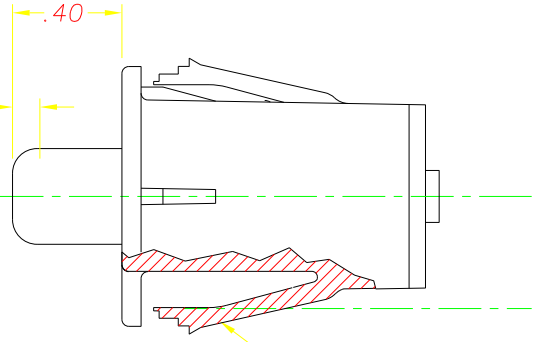


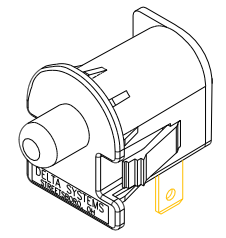
REVISIONS					
B	ADDED DELTA NAME TO HSG., CR 908	01/24/97	TW		
C	REVISED SNAP WING NOTE, CR 1003	07/17/97	JH		
D	ADDED WING MOD, CR1427	11/09/02	MA		



.040 –.150 MOTION TO OPEN CONTACTS

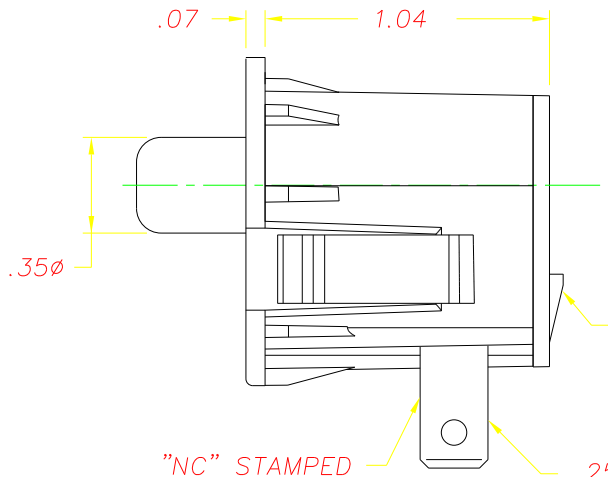
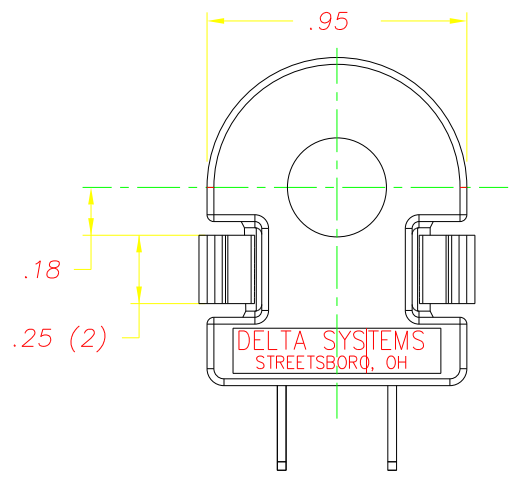


SNAP WINGS TO ACCOMMODATE PANEL THICKNESSES OF .055, .115, AND .140, INCLUDING PAINT AND DECALS.



ISOMETRIC VIEW

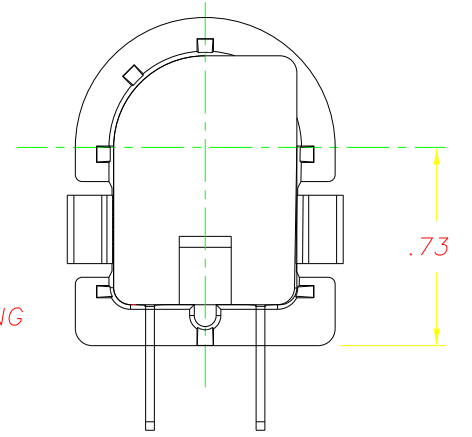
SUGGESTED MOUNTING HOLE (SCALE: FULL)



TERMINAL PATTERN & LOCKING TAB TO MATE WITH DSI SHORTING CONNECTOR, P/N 96525-GY

"NC" STAMPED IN THIS AREA

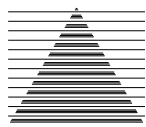
.25 x .032 MALE BLADE TERMINALS (2)



NOTES:

- 1-PLASTIC PARTS ARE DELTON™, UV STABLE, FUEL RESISTANT THERMOPLASTIC. TERMINALS ARE NICKEL-PLATED BRASS.
- 2-DATE CODE INDICATING YEAR, MONTH, AND DAY OF MONTH MANUFACTURED STAMPED ON HOUSING.
- 3-INTEGRITY OF WELD & SWITCH FUNCTIONALITY TESTED AFTER ASSEMBLY.
- 4-THIS PRODUCT COVERED BY THE FOLLOWING U.S. PATENT; 4,812,604. OTHER PATENTS APPLIED FOR.

DRAWN AJC		DATE 06/03/92	
CHECKED TW		DATE 06/03/92	
MATERIAL NOTE 1			
FINISH GRAY			
DO NOT SCALE DRAWING			

		<b>DELTA</b> SYSTEMS INC. STREETSBORO, OHIO 44241			
		TITLE SNAP-MOUNT SWITCH NORMALLY CLOSED			
SIZE B	DWG. NO. 6440-53	PROJECT NO. E-316	REV D		
SCALE 2X	SHEET 1 OF 1				