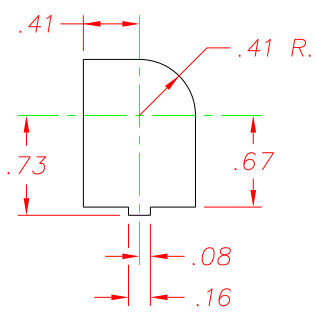
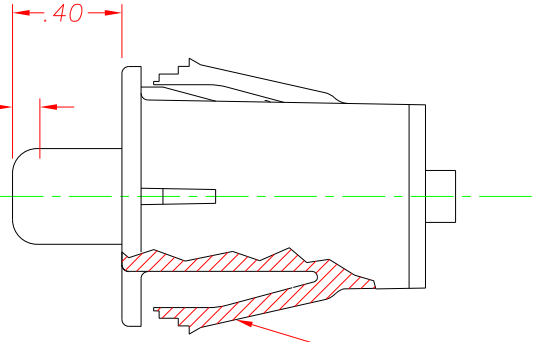


DWG. NO.	SH	REV.	COMPUTER GENERATED DRAWING – NO MANUAL CHANGES		
REVISIONS					
~	INITIAL RELEASE, CN 1131		05/09/06	MA	

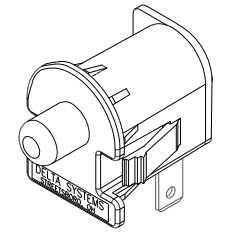


SUGGESTED MOUNTING HOLE
(SCALE: FULL)

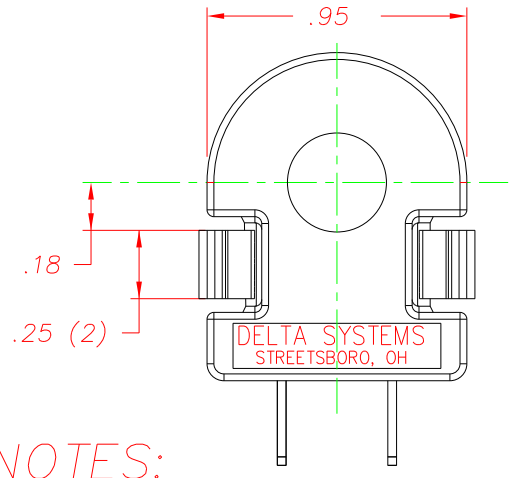
.040 –.150 MOTION
TO OPEN CONTACTS



SNAP WINGS TO ACCOMMODATE PANEL
THICKNESSES OF .055, .115, AND .140,
INCLUDING PAINT AND DECALS.

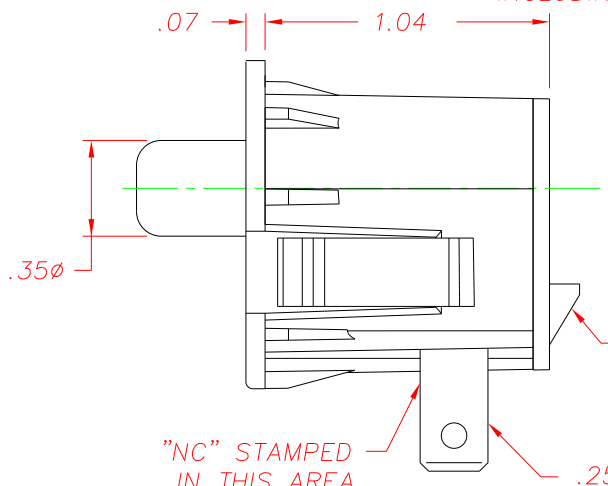


ISOMETRIC VIEW



NOTES:

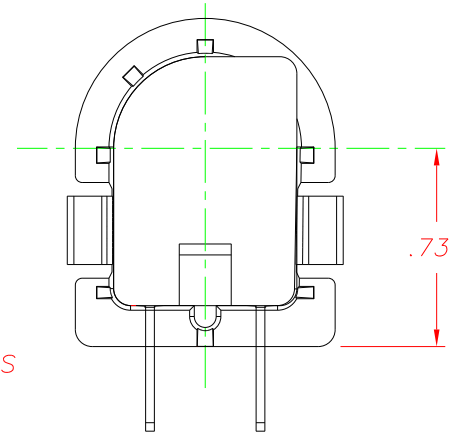
- 1-PLASTIC PARTS ARE FLAME RETARDANT, UV STABLE THERMOPLASTIC.
- TERMINALS ARE NICKEL-PLATED BRASS. INTERNAL CONTACT IS BERYLLIUM COPPER.
- 2-PART NO. AND DATE CODE INDICATING YEAR, MONTH, AND DAY OF MONTH MANUFACTURED STAMPED ON HOUSING.
- 3-INTEGRITY OF WELD & SWITCH FUNCTIONALITY TESTED AFTER ASSEMBLY.
- 4-THIS PRODUCT COVERED BY THE FOLLOWING U.S. PATENT; 4,812,604. OTHER PATENTS APPLIED FOR.
- 5-ELECTRICAL RATING: 5A @ 12-14 VDC.
- 6-LIFE AT RATED LOAD: 10K CYCLES INDUCTIVE, 75K CYCLES RESISTIVE.
- 7-MECHANICAL LIFE: 300,000 CYCLES.
- 8-OPERATING TEMPERATURE: -20°F TO 150°F.
- 9-CONNECTION EFFORT: UP TO 10 LBS. PER TERMINAL
- 10-THIS SWITCH IS RECOGNIZED UNDER CATEGORY UL583. (INDUSTRIAL TRUCK ACCESSORIES, BATTERY POWERED-COMPONENT, FILE# YCFT2.AU3028)



TERMINAL PATTERN & LOCKING
TAB TO MATE WITH EITHER DSI
96525 SERIES OR 96526 SERIES
CONNECTORS

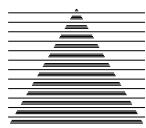
"NC" STAMPED
IN THIS AREA

.25 x .032 MALE
BLADE TERMINALS (2)



DELTA SYSTEMS, INC. DOES NOT ASSUME ANY LIABILITY ARISING OUT OF THE MISAPPLICATION OF ANY PRODUCT	
UNLESS OTHERWISE SPECIFIED DIMENSIONS ARE IN INCHES TOLERANCES ARE:	
.XX±	.02 .XXX± .005 ANG± 1°
DO NOT SCALE DRAWING	

DRAWN	DATE
MA	01/24/06
CHECKED	DATE
JM	01/26/06
MATERIAL	NOTE 1
FINISH	WHITE

 DELTA SYSTEMS INC. STREETSBORO, OHIO 44241			
TITLE			
SNAP-MOUNT SWITCH NORMALLY CLOSED			
SIZE	DWG. NO.	PROJECT NO.	REV
B	6440-17	EX-311	~
SCALE	SHEET		OF
2X	1		1