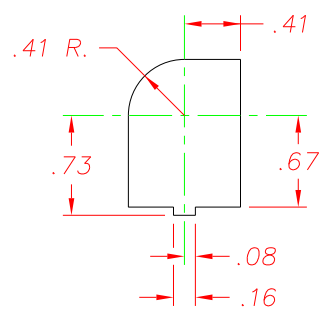
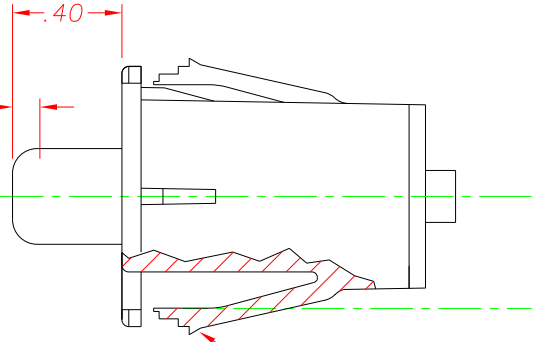


REVISIONS				
D	ADDED DELTA NAME TO HSG., CR 908	01/24/97	TW	
E	REVISED SNAP WING NOTE, CR 1003	07/17/97	TW	
F	ADDED WING MOD, CR1427	11/09/02	MA	
G	REVISED TAB & CONCTR P/N, CR1627	02/24/06	MA	

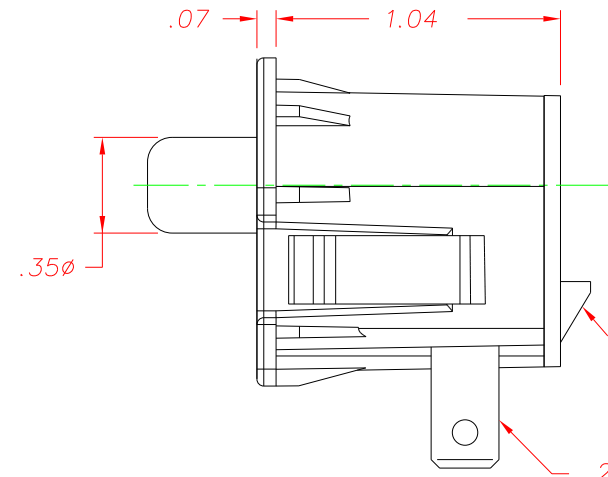
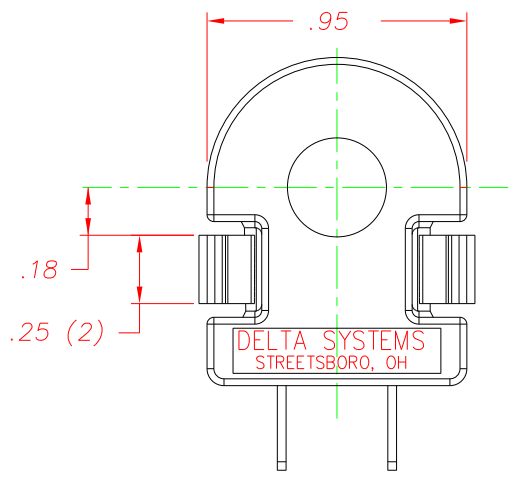


.040 –.150 MOTION TO MAKE OR BREAK CONTACTS.



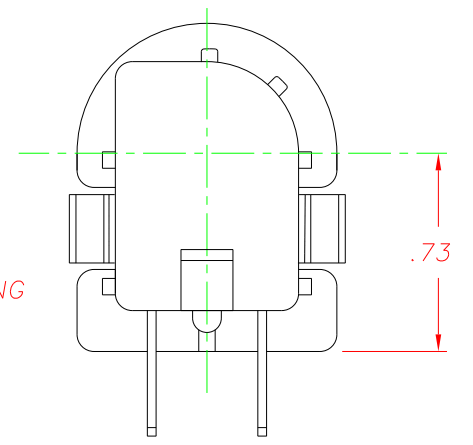
SNAP WINGS TO ACCOMMODATE PANEL THICKNESSES OF .055, .115, AND .140, INCLUDING PAINT AND DECALS.

SUGGESTED MOUNTING HOLE (SCALE: FULL)



TERMINAL PATTERN & LOCKING TAB TO MATE WITH EITHER DSI 96525 SERIES OR 96526 SERIES CONNECTORS

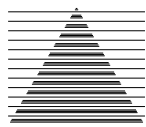
.25 x .032 MALE BLADE TERMINALS (2)



NOTES:

- 1 – PLASTIC PARTS ARE DELTON™, UV STABLE, FUEL RESISTANT THERMOPLASTIC. TERMINALS ARE NICKEL-PLATED BRASS.
- 2 – DATE CODE INDICATING YEAR, MONTH, AND DAY OF MONTH MANUFACTURED STAMPED ON HOUSING.
- 3 – INTEGRITY OF WELD & SWITCH FUNCTIONALITY TESTED AFTER ASSEMBLY.
- 4 – THIS PRODUCT COVERED BY THE FOLLOWING U.S. PATENT; 4,812,604. OTHER PATENTS APPLIED FOR.

DRAWN AJC		DATE 06/05/92	
CHECKED TW		DATE 06/03/92	
MATERIAL NOTE 1			
FINISH BLACK			
DO NOT SCALE DRAWING			

		DELTA SYSTEMS INC. STREETSBORO, OHIO 44241	
TITLE SNAP-MOUNT SWITCH NORMALLY OPEN			
SIZE B	DWG. NO. 6440-04	PROJECT NO. E-323	REV G
SCALE 2X	SHEET 1 OF 1		

DELTA SYSTEMS, INC. DOES NOT ASSUME ANY LIABILITY ARISING OUT OF THE MISAPPLICATION OF ANY PRODUCT

UNLESS OTHERWISE SPECIFIED DIMENSIONS ARE IN INCHES TOLERANCES ARE:
.XX± .02 .XXX± .005 ANG± ~