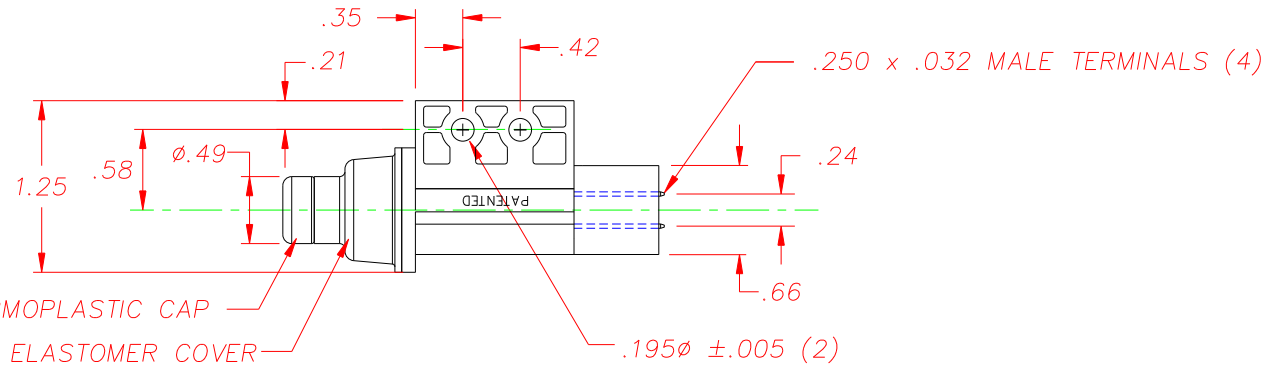
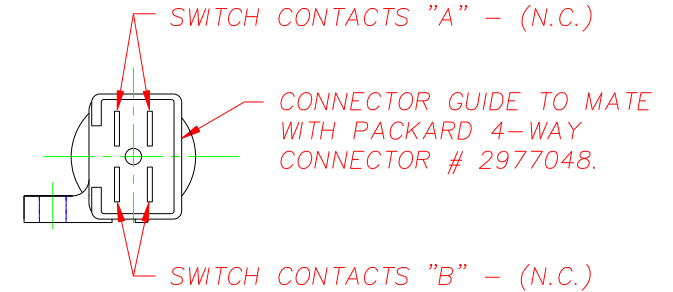
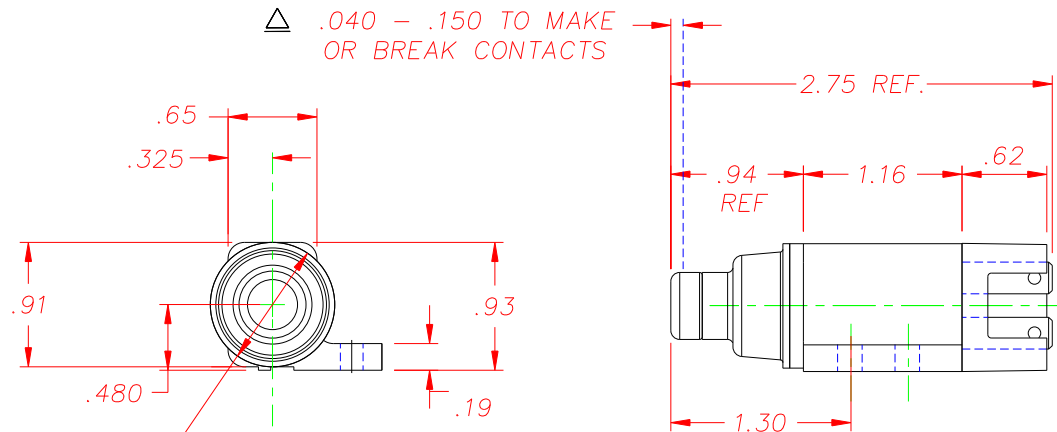


REVISIONS

~	INITIAL RELEASE, CR 1206	09/22/98	JH
A	ADD PLUNGER TRAVEL NOTE, CR1225	11/19/98	JH
B	ADD THERMAL BOND NOTE, CR 1268	10/28/99	JH
C	ADDED NOTES 9 AND 10, CR 1671	05/01/07	MA
D	REMOVED COLOR IDENTIFIER, CR1719	03/12/08	MA



NOTES:

- 1-"NC" STAMPED ON ALL NORMALLY CLOSED TERMINALS.
- 2-TERMINALS ARE NICKEL PLATED
- 3-PLASTIC PARTS ARE DELTON™, UV STABLE, FUEL RESISTANT THERMOPLASTIC. PROTECTIVE COVER IS THERMOPLASTIC ELASTOMER.
- 4-CAP AND COVER ARE BLACK, HOUSING IS GRAY, BACK COVER IS OLIVE.
- 5-DATE CODE INDICATING YEAR, MONTH, & DAY OF MONTH MANUFACTURED STAMPED ON HOUSING.
- 6-INTEGRITY OF WELD & SWITCH FUNCTIONALITY TESTED AFTER ASSEMBLY. \triangle
- 7-THE PRODUCT COVERED BY THE FOLLOWING U.S. PATENT; 4,812,604. OTHER PATENTS APPLIED FOR.
- 8-TOTAL TRAVEL OF PLUNGER IS .47 FROM REST POSITION.
- 9-THERMALLY BONDED PLUNGER ASSEMBLY IS COMPLETELY SEALED. TERMINALS ARE UNSEALED. INSTALLED SWITCH TO HAVE PLUNGER POINTING UP VERTICALLY OR ABOVE HORIZONTAL PLANE.
- 10-MAX. OPERATING FORCE: 5.0 LBS. AT .400 TRAVEL.
- 11-ASSEMBLY IS RoHS COMPLIANT.

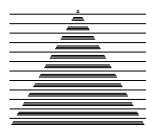
DELTA SYSTEMS, INC. DOES NOT ASSUME ANY LIABILITY ARISING OUT OF THE MISAPPLICATION OF ANY PRODUCT

COMPUTER GENERATED DRAWING - NO MANUAL CHANGES ALLOWED

UNLESS OTHERWISE SPECIFIED DIMENSIONS ARE IN INCHES TOLERANCES ARE:
 .XX± .02 .XXX± .010 ANG±

DO NOT SCALE DRAWING

DRAWN	DATE
LMM	09/22/98
CHECKED	DATE
JH	09/22/98
MATERIAL	
AS NOTED	
FINISH	
AS NOTED	

 DELTA SYSTEMS INC. STREETSBORO, OHIO 44241		TITLE	
		N.C./N.C. PLUNGER SWITCH WITH SPLASHPROOF PLUNGER	
SIZE	DWG. NO.	REV	
B	6410-03	D	
SCALE	PROJECT NO.	REV	
FULL	EX358	D	

