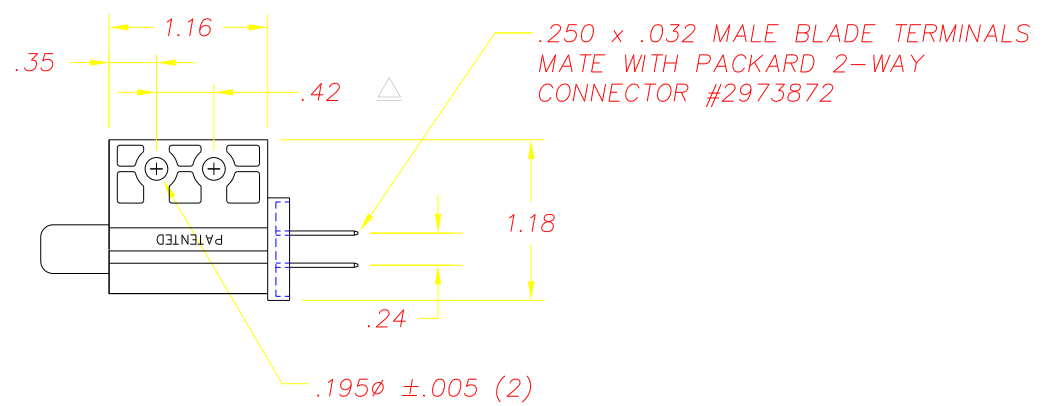
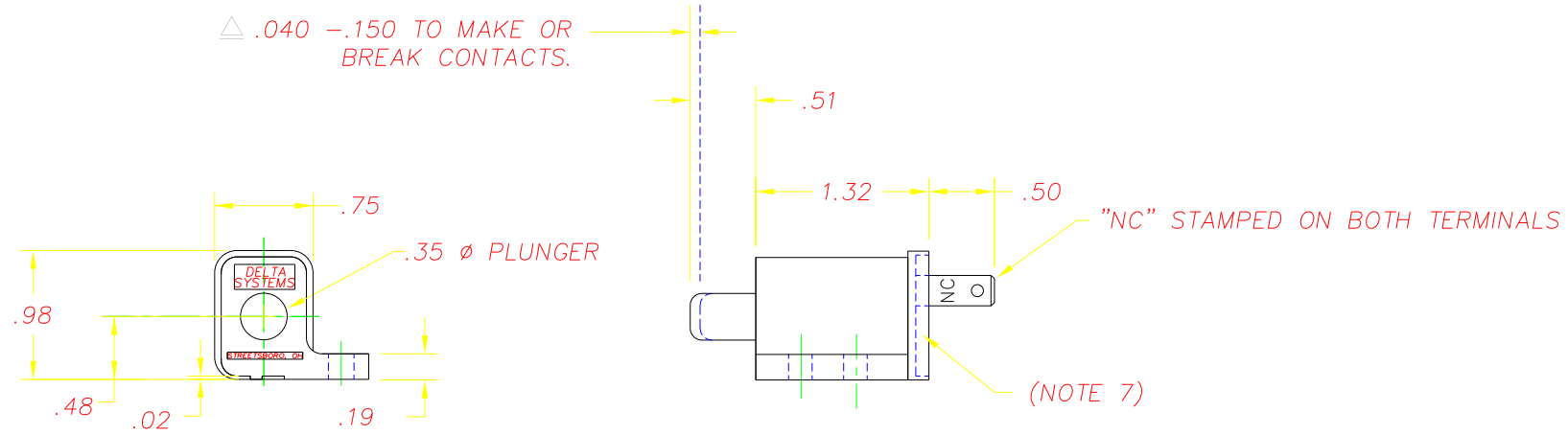


REVISIONS

| | | | |
|---|--------------------------|----------|----|
| ~ | INITIAL RELEASE, CR 1268 | 10/28/99 | JH |
|---|--------------------------|----------|----|



NOTES:

- 1—"NC" STAMPED ON ALL NORMALLY CLOSED TERMNALS.
- 2-TERMINALS ARE NICKEL PLATED.
- 3-PLASTIC PARTS ARE DELTON™, UV STABLE, FUEL RESISTANT THERMOPLASTIC.
- 4-DATE CODE INDICATING YEAR, MONTH, AND DAY OF MONTH MANUFACTURED STAMPED ON HOUSING.
- 5-INTEGRITY OF WELD & SWITCH FUNCTIONALITY TESTED AFTER ASSEMBLY. △
- 6-THIS PRODUCT COVERED BY THE FOLLOWING U.S. PATENT; 4,812,604. OTHER PATENTS APPLIED FOR.
- 7-TERMINALS ARE SEALED WITH ENCAPSULANT. PLUNGER IS UNSEALED. INSTALLED SWITCH TO HAVE TERMINALS POINTING UP VERTICALLY OR ABOVE HORIZONTAL PLANE.

DELTA SYSTEMS, INC. DOES NOT ASSUME ANY LIABILITY ARISING OUT OF THE MISAPPLICATION OF ANY PRODUCT

COMPUTER GENERATED DRAWING - NO MANUAL CHANGES ALLOWED

UNLESS OTHERWISE SPECIFIED DIMENSIONS ARE IN INCHES TOLERANCES ARE:
 .xx± .02 .xxx± .010 ANG± 1°

DO NOT SCALE DRAWING

| | |
|----------|----------|
| DRAWN | DATE |
| LMM | 10/25/99 |
| CHECKED | DATE |
| JH | 10/28/99 |
| MATERIAL | |
| AS NOTED | |
| FINISH | |
| GRAY | |

DELTA
SYSTEMS INC.
STREETSBORO, OHIO 44241

| | | | |
|-------|-------------|--|--|
| TITLE | | N.C. PLUNGER SWITCH WITH SPLASHPROOF TERMINALS | |
| SIZE | DWG. NO. | 6405-51 | |
| SCALE | PROJECT NO. | REV | |
| FULL | EX363 | ~ | |